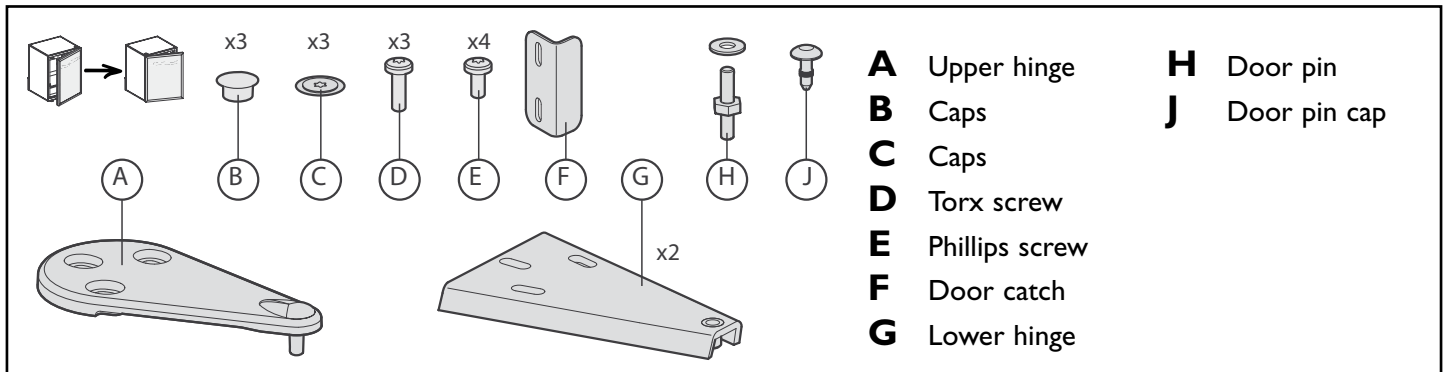
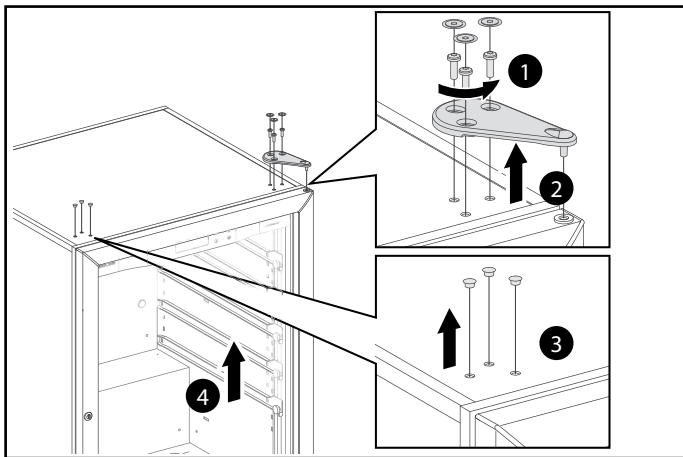


4 - INSTALLATING YOUR WINE CABINET

Door reversibility

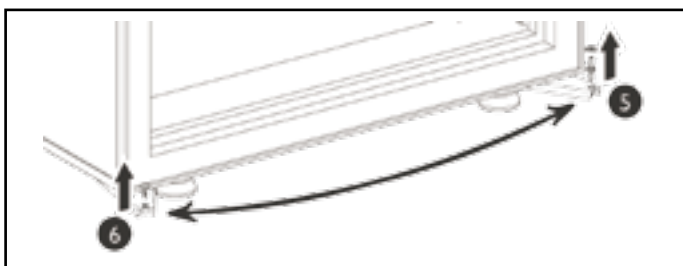


This allows you to change the direction in which the door opens. Follow the instructions below (example for changing a right-hand door into a left-

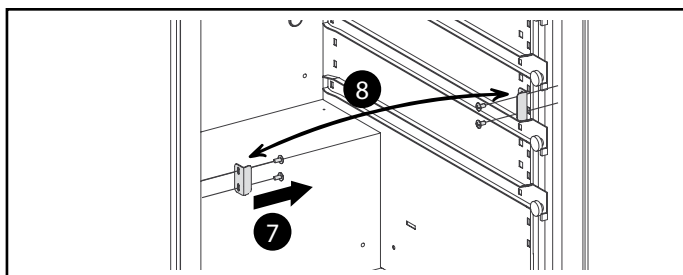


hand door):

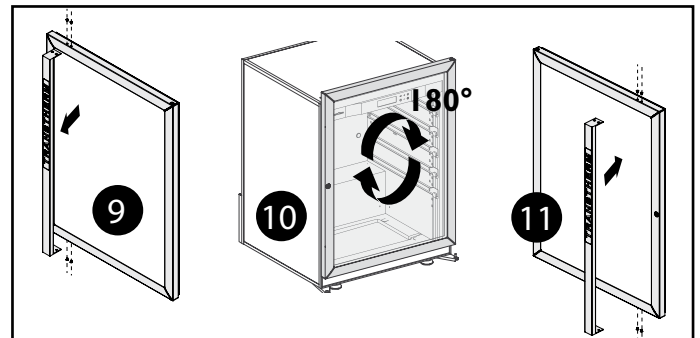
- 1 Unscrew the three screws using a "T25" Torx wrench.
- 2 Remove the upper hinge.
- 3 Carefully remove the caps using a thin blade.
- 4 Remove the cabinet door by opening it slightly, then lifting it upwards.



- 5 Unscrew the door pin.
- 6 Carefully remove the cap using a thin blade and assemble the pin in its place. Reposition the cap on the opposite side



- 7 Unscrew the four screws.
- 8 Fasten the door catch on the opposite side of the cabinet using the screws.

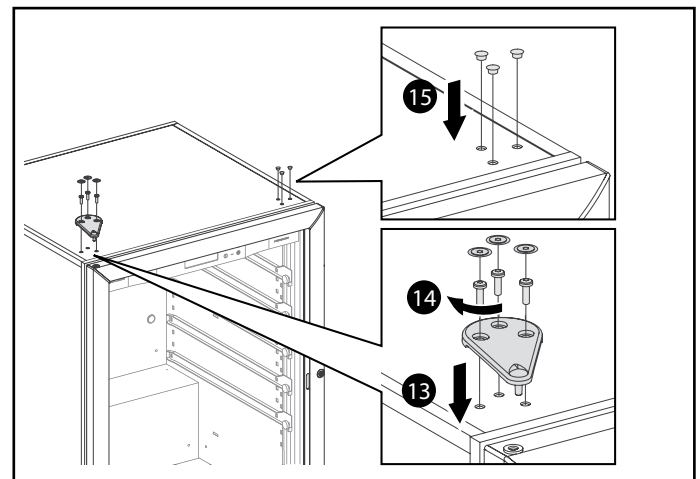


- 9 Unscrew the handle.
- 10 Turn the door through 180°.
- 11 Screw the handle.



Warning: the door is very heavy. Take any necessary precautions to ensure that you do not injure yourself or drop it.

- 12 Put the door back on its pin.



- 13 Put in place the upper hinge.
- 14 Screw the hinge so that the door is completely parallel to the cabinet. Check that the door seal adheres well to the cabinet (by closing the door), to ensure that it is completely air-tight.
- 15 Put in place the caps.



NB : The handle of your wine cabinet is removable. If you wish to remove it, just unscrew the 4 screws (see drawing 9) and obturate the 2 holes at the top of the door with the 2 plastic caps you could find into the accessories 'sack.