

Mini T 6-Bottle Tabletop Acrylic Wine Rack

Mini T (VP-MINI) Installation Instructions

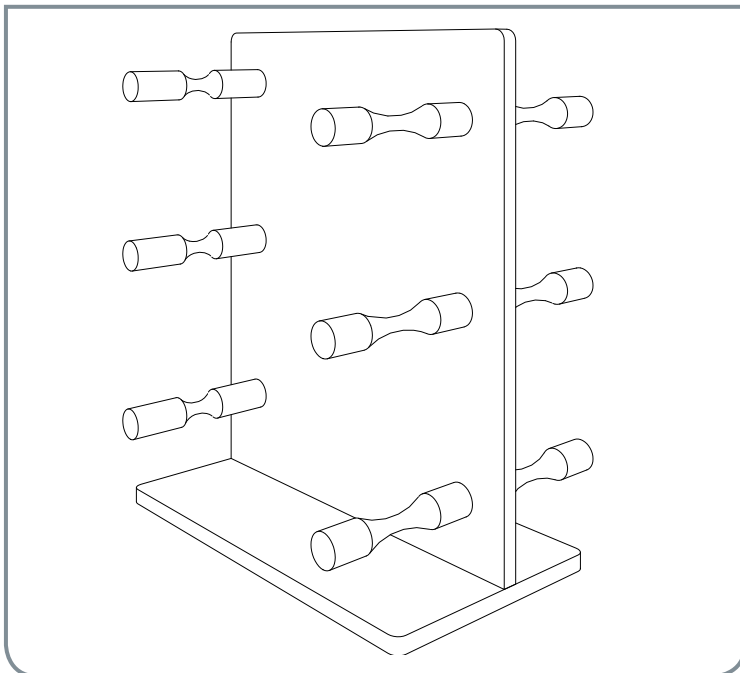
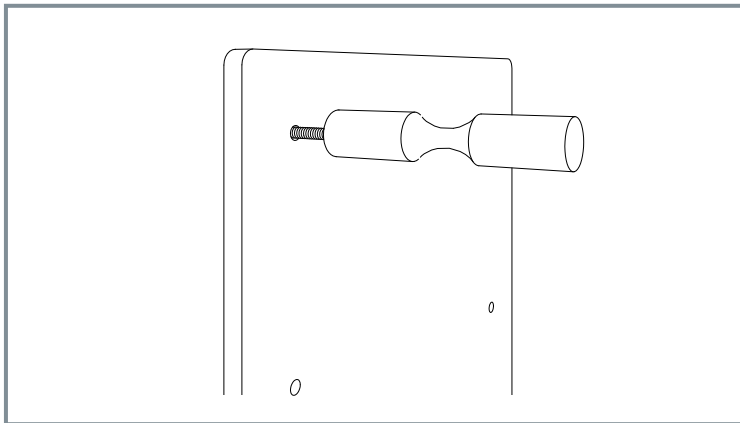
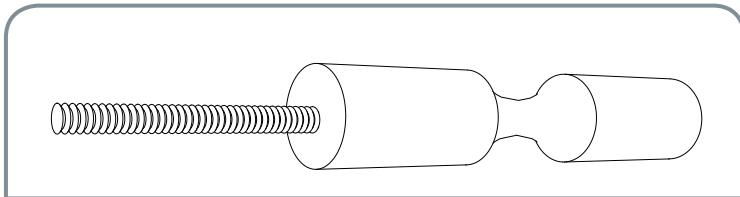


The Mini T 6-Bottle Tabletop Acrylic Wine Rack is a standalone wine storage unit.

Video guides, spec sheets, and additional support are available at vintageview.com.

What's included

- (6) Sets (neck and base pieces) of Vino Pins Bottle Supports
- (12) Vino Pins studs
- (1) Clear acrylic stand



Step 1: Prep the Pieces

Identify which Pins support the base of the bottle and which support the neck. The former has larger impressions to hold the fatter end of the bottle.

Screw one Vino Pin Stud into the threaded end of 3 of the neck support pieces, insert approximately $\frac{1}{2}$ ". Repeat for the 3 base pieces.

Step 2: Assemble

Identify neck and base mounting holes on the clear acrylic stand. The neck holes are elevated.

Using a neck support (with stud inserted) insert stud through neck hole in stand and thread a neck pin (without a stud) on to the stud on the opposite side of the panel. Fully tighten.

Step 3: Add Wine!

Then take a selfie, tag #heyheywinedisplay, and post to your favorite social media channel.