

Evolution Wine Tower

Installation Instructions for WT-47, WT-72, and WT-92 models (including extensions).



Parts List (Base)

- (2) Acrylic Wine Tower Panels
- Evolution Wine Rods
- Evolution Screws
- 4mm Allen Key
- Threaded Inserts (inserted in all Rods)

Parts List (Extension)

- (1) Acrylic Wine Tower Panel
- Evolution Studs
- Evolution Wine Rods
- Threaded Inserts (inserted in all Rods)

Suggested Tools

- Drill (with torque setting)
- 4mm driver tip
- A handy friend

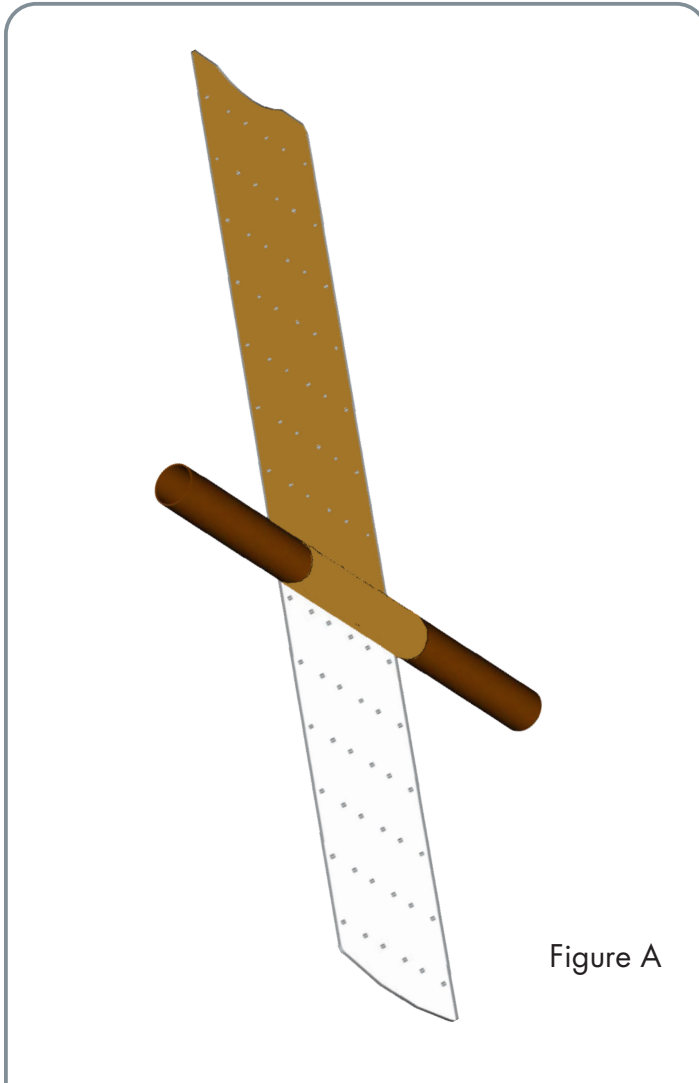


Figure A

The following instructions detail the process to build one Base Unit or a Base Unit with Extension Kits of the Evolution Wine Tower 47, Wine Tower 72, or Wine Tower 92 models.

Step 1: Prep the Panels

Remove the protective paper film from both sides of the panels. Acrylic can scratch relatively easily, so avoid using anything sharp, such as a razor blade, to remove the film.

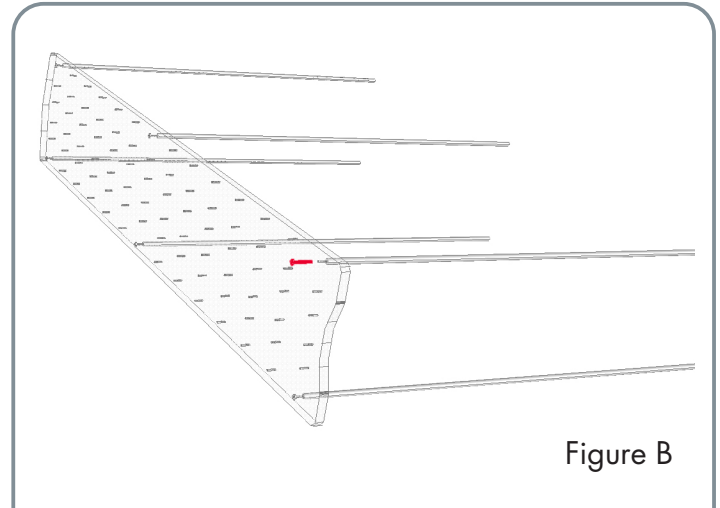


Figure B

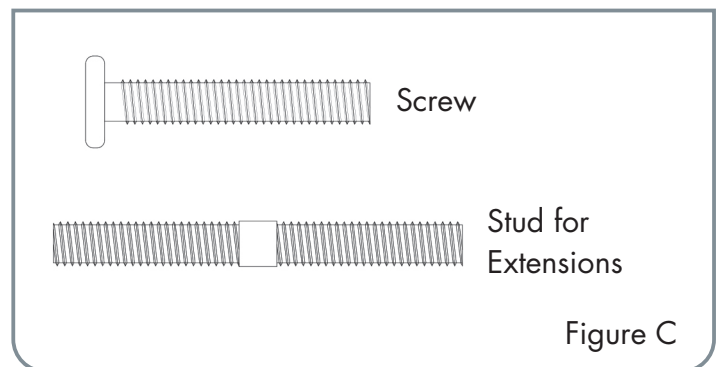


Figure C

Step 2: Attach Rods to First Panel

Lay one panel down on its narrow edge on a clean soft surface, such as a furniture blanket or carpeting, being careful not to scratch the panel. Starting with the two bottom corners, insert one screw through the hole in one of the bottom corners. Align the screw with the threads on the end of a rod and fully tighten, being careful to not over tighten (Figure B). Repeat this process for all other Wine Rods.

Pro Tip: A cordless drill with a 4mm driver tip will save considerable time during assembly. Be sure to use a low torque setting, typically around #3, on your drill's clutch, to prevent damaging any components from over tightening.

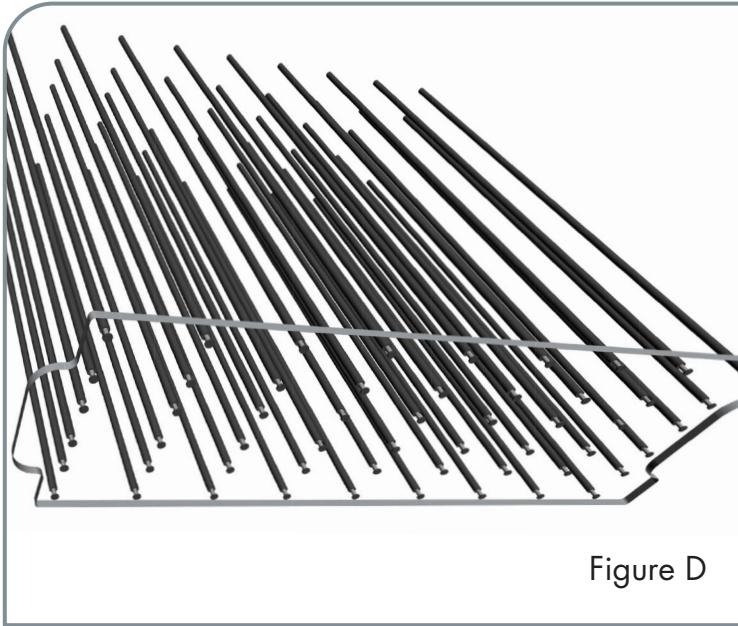


Figure D

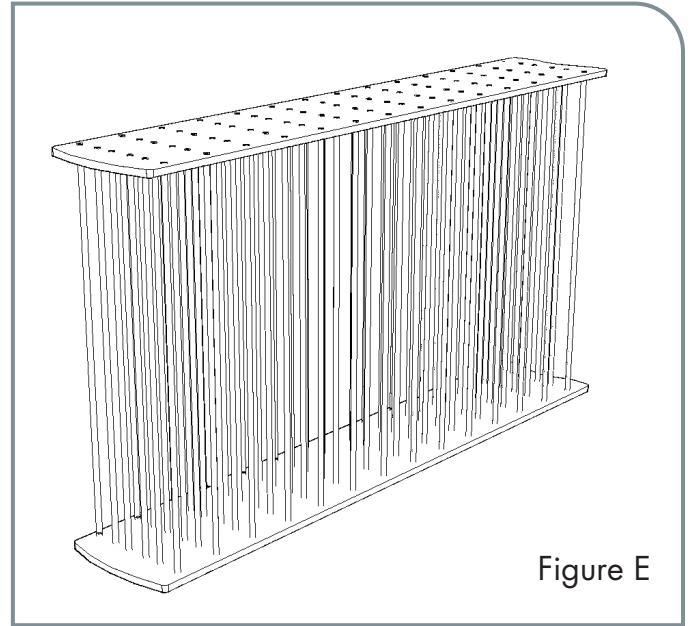


Figure E

Step 3: Affix the Next Panel

Base Unit Only

Carefully align the second Panel with the unsecured ends hanging off the side. One at a time, align each with the corresponding hole and secure it in place with a Screw (Fig. E).

Stand the completed Tower in desired location.

Proceed to Step 5.

Extension Units

Carefully align the next Panel with the unsecured ends hanging off the side. One at a time, align each Wine Rod with the corresponding hole and secure it in place with a Stud (Fig. C). When fully secure, 1/2 of the Stud will protrude out of the inside Panel.

Carefully lift and rotate the partially assembled unit to rest on the edge of the Panel with the unsecured ends hanging off the side. Lay the second Panel on the ends of the Rods, and use included Studs to thread all Wine Rods.

Stand the first, completed column, in desired location.

Pro Tip: The Studs may be quickly screwed in by gently tightening them in the chuck of a drill with approximately 3/4 of the stud exposed, screwing them in until the flat spot in the middle of the stud is just below the surface of the panel and then releasing the end of the stud from the chuck.

Optional (Extensions only)

Step 4: Connect Next Panel

Connect additional Wine Rods to all exposed Studs, then connect the next Panel. Use Studs to connect the next Panel if adding additional columns. When attaching the final, outside Panel, use Evolution Screws to secure the Wine Rods.

5. Secure to Wall

It is recommended that all units be secured to a wall for optimal stability. VintageView offers Evolution Wine Tower brackets to make this an easy step (sold separately).

7. Add wine

Only the good stuff!

