

Vino Pins for Wood Surfaces

Installation instructions for Vino Pins (SKUs: VP-, VP-MAG-)



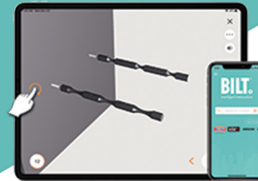
3D INTERACTIVE INSTRUCTIONS

USE BILT TO ASSEMBLE WITH CONFIDENCE

For fast 3D step-by-step instructions,
download the free BILT app!



Available on most iOS and Android Devices



Included Parts

- (1) Vino Pins Neck
- (1) Vino Pins Base
- (2) Wood Lags
- (1) Hex Key
- (2) Nuts
- (1) 8.5"x11" Plotting Guide

Optional Parts

- Vino Pins Neck Extension
- Vino Pins Base Extension
- (2) Vino Pins Magnum Spacers

Required Tools

- (1) Level
- (1) Drill
- (1) 5/32" (4mm) Drill Bit
- (2) 10mm or adjustable wrenches
- (1) M6 Driver (recommended)

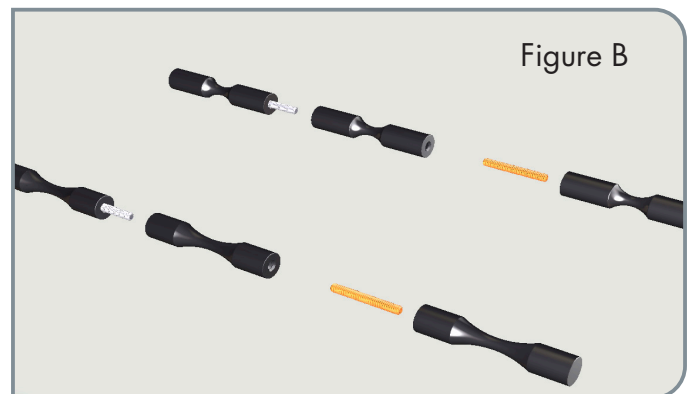
Important Note: These installation instructions are only for attaching Vino Pins for 750ml, Champagne, and Magnum wine bottles to solid wood or plywood surface with a minimum thickness of 1/2" (12.7mm). Please reference Vino Pins for Drywall (SKUs: VPC-) for drywall information.



1. MARK MOUNTING HOLE LOCATIONS

Use a level to ensure the printed mounting template is horizontal along the long edge (Figure A), mark hole locations by piercing the template with a pencil or sharp object at the center the two (2) marks corresponding with the bottle direction chosen. Mounting holes will be offset by 5/8" (16mm) and 7-1/2" (191mm) apart for 750ml bottles and 8-1/2" (216mm) 1.5L bottles.

Pro Tip: To plot additional Vino Pins in the same column, mark a minimum of 5" (127mm) above or below each mounting hole for next set of Vino Pins.



2. (OPTIONAL) EXTEND VINO PINS

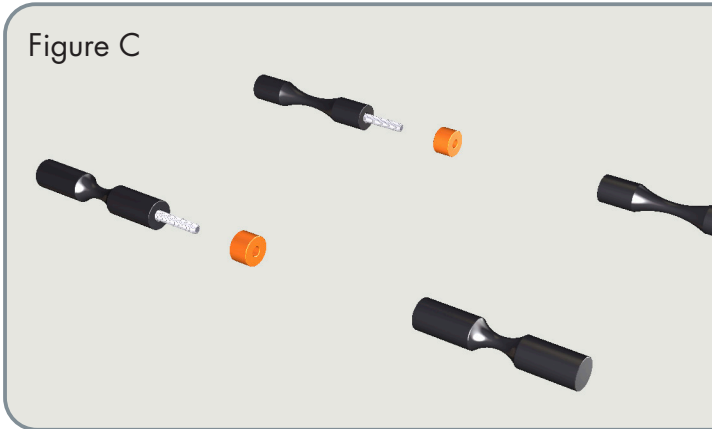
If using Vino Pins extensions (sold separately), thread a stud into one end of the base extension Pin and screw the starter base Pin onto the remaining exposed end and firmly hand tighten (Figure B).

Connect any additional extensions (up to three total bottles deep for 750ml bottles) in a similar fashion and repeat this process for the neck pins.

**Pins can extend to two bottles deep for Magnum or Champagne bottles and require one (1) Magnum



Figure C



Spacer to be inserted between each Starter and Extension Pin (Figure C). **

3. CONFIRM WALL SURFACE

Drill two (2) pilot holes using a 5/32" (4mm) Drill Bit (Figure D) to determine whether your installation will be into solid wood or drywall surface.

NOTE: If it is determined to be drywall, please use (or purchase if necessary) Vino Series Collars install guide.

4. INSTALL WOOD LAGS

a. Using Hex Key or M6 Driver

Using either the provided hex key, drive the Lag Stud into the pilot holes until the coarse threads are no longer visible. When driving the Lag Stud, take care to ensure it remains level. For larger projects, or if a sturdier tool is needed, use an optional M6 Driver.

b. Using Nuts

Alternatively, attach two (2) provided nuts onto the fine threaded end of the Lag Stud. Using two 10mm wrenches, tighten the nuts against one another (Figure E), essentially creating a screw head. Then use one wrench on the outer nut and screw the wood lag into the pilot holes until the coarse threads are no longer visible.

4. INSTALL VINO PINS

Thread two (2) Vino Pins Assemblies onto the Studs (Figure G). Firmly hand-tighten taking care not to over-tighten. Confirm Pins are level. Ensure you are installing the Neck Pin into the higher of the two holes and the Base Pin into the lower of the two holes.

5. ADD WINE

Only the good stuff.

Figure D

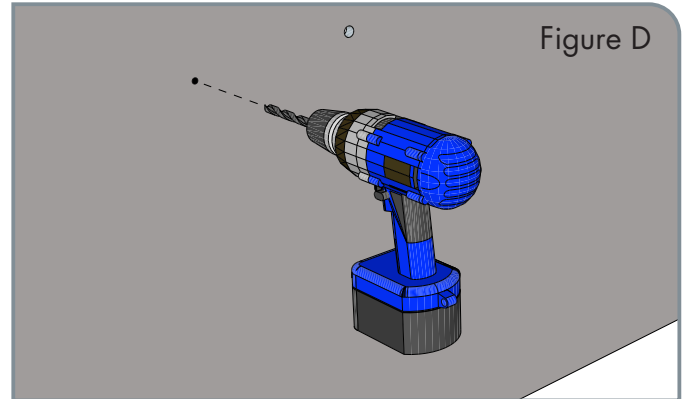


Figure E

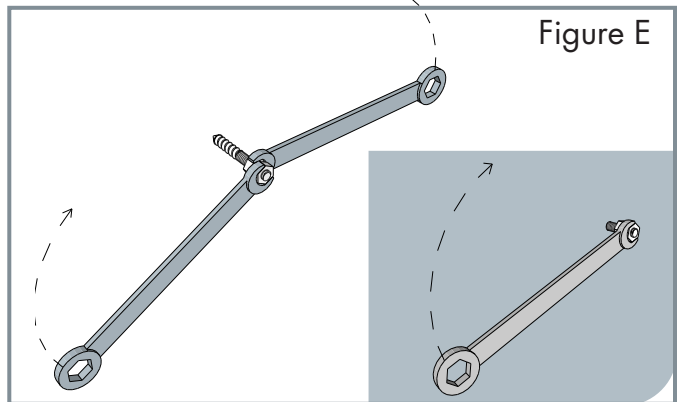


Figure F

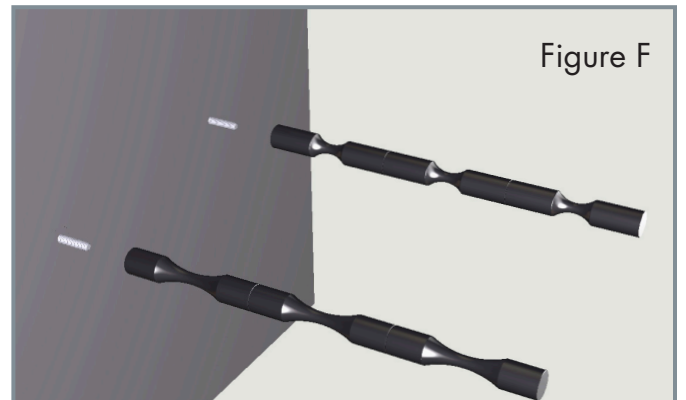
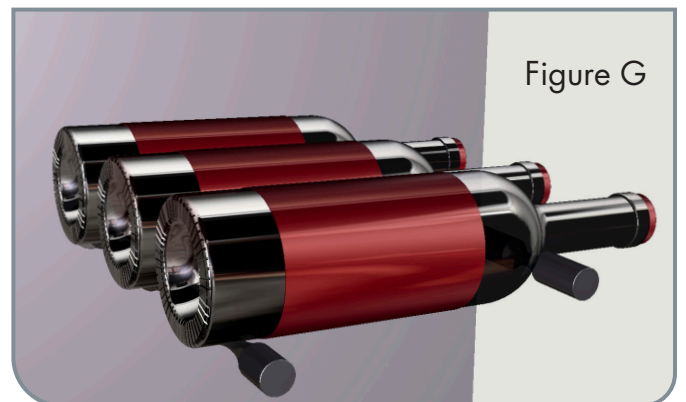


Figure G





Problems?

Try Vino Pins installation using BILT 3D intelligent instructions, visit www.vintageview.com or give us a call at 303-504-9463.

Additional Notes:

All installations into drywall require the use of collars and alternate fasteners to properly support the Vino Pins. Any application outside of these parameters is not warranted by VintageView and may result in product and/or installation failure, property damage and/or bodily injury.

Maintenance and Care:

Vino Pins should be regularly checked for tightness. Should any party to be found to be loose, tighten by hand until secure. If the face of the wall surface shows signs of breakage, discontinue use immediately until the wall may be adequately repaired. Vino Pins may be cleaned with a damp cloth and mild dish soap -abrasive pads or steel wool should NOT be used as they will damage the finished surfaces of the parts.

SCAN FOR BILT 3D INSTRUCTIONS



POWERED BY BILT INTELLIGENT INSTRUCTIONS®

