

OENOPRO

INSTRUCTION MANUAL FOR WINE COOLER/BEVERAGE COOLER

MODEL

TGLSST-RHSSSH-SZ TGLSST-LHSSSH-SZ TFGBLK-RHWDSH-SZ TFGBLK-LHWDSH-SZ


Thank you for purchasing our Wine Cooler/Beverage Cooler. It is our hope you will find years of joy in collecting and aging your fine wines. Before use, please read and follow all safety rules and operating instructions.

WARNING

- To prevent damaging the door gasket, make sure to have the door all the way opened when pulling shelves out of the rail compartment.
- The appliance must be positioned so that the plug is accessible. Release the electric cord. Move your cabinet to its final location. Do not move your cabinet while loaded with wine. You might distort the body. The wine cellar should be installed in a suitable place to avoid touching the compressor with your hands.
- If the supply cord is damaged, it must be replaced by the manufacturer, its service agent or a similarly qualified person in order to avoid hazard.

PLEASE DO NOT TRY TO PLUG INTO OR USE AN EXTENSION CHORD.

IMPORTANT SAFETY INSTRUCTIONS

	<p>To reduce the risk of fire, electrical shock, or injury when using your appliance, follow these basic precautions:</p>
<ul style="list-style-type: none"> • Read all instructions before using the wine cooler. • DANGER or WARNING: Risk of child entrapment. • Child entrapment and suffocation: Abandoned appliances are still dangerous, even if they will “sit in the garage for a few days only”. • Before you throw away your old Wine Cooler/Beverage Cooler: Take the door off. Leave the shelves in place so that children may not easily climb inside. • Children should be supervised to ensure that they do not play with the appliance. • Never clean appliance parts with flammable fluids. The fumes can create a fire hazard or explosion. • Do not store explosive substances such as aerosol cans with a flammable propellant in this appliance. The fumes can create a fire hazard or explosion. Do not store explosive substances such as aerosol cans with a flammable propellant in this appliance. • WARNING: Keep ventilation openings, in the appliance enclosure or in the built-in structure, clear of obstruction. • WARNING: Do not use mechanical devices or other means to accelerate the defrosting process, other than those recommended by the manufacturer. • To avoid a hazard due to instability of the appliance, it must be fixed in accordance with the instructions. • WARNING: Do not damage the refrigerant circuit. • WARNING: Do not use electrical appliances inside the food storage compartments of the appliance, unless they are of the type recommended by the manufacturer. • If the refrigerant of these appliances are R600a , flammable and explosive articles should not be placed in or near the cabinet, to avoid both fire or explosions. 	
<p>-Save these instructions-</p>	

INSTALLATION INSTRUCTIONS

➤ **Before Using Your Wine Cooler/Beverage Cooler**

- Remove the exterior and interior packing.
- Before connecting the Wine Cooler/Beverage Cooler to the power source, let it stand upright for approximately 24 hours. This will reduce the possibility of a malfunction in the cooling system from handling during transportation.
- Clean the interior surface with lukewarm water using a soft cloth.
- This appliance is intended to be used in household and similar applications such as
 - staff kitchen areas in shops, offices and other working environments;
 - residential homes and by clients in hotels, motels and other residential type environments;
 - bed and breakfast type environments;
 - catering and similar non-retail applications.
- When disposing your appliance, please choose an authorized disposal site.

➤ **Installation of Your Wine Cooler/Beverage Cooler**

- This appliance is designed to be used for a free standing installation or built-in (fully recessed. Refer to sticker location on the back of this appliance).
- **This appliance is intended to be used exclusively for the storage of wine or beverages.**
- Place your Wine Cooler/Beverage Cooler on a floor that is strong enough to support it when it is fully loaded. To level your Wine Cooler/Beverage Cooler, adjust the front leveling leg at the bottom of the Wine Cooler/Beverage Cooler.
- This appliance is using flammability refrigerant. Never damage the cooling pipework during transportation. Locate the Wine Cooler/Beverage Cooler away from direct sunlight and sources of heat (stove, heater, radiator, etc.). Direct sunlight may affect the acrylic coating and heat sources may increase electrical consumption. Extreme cold ambient temperatures may also cause the unit not to perform properly.
- Avoid locating the unit in moist areas.
- Plug the Wine Cooler/Beverage Cooler into a dedicated, properly installed-grounded wall outlet. Do not under any circumstances cut or remove the third (ground) prong from the power cord. Any questions concerning power and/or grounding should be directed toward a certified electrician or an authorized service center.

➤ **Attention**

- Store wine in sealed bottles;
- Do not overload the cabinet;
- Do not open the door unless necessary;
- Do not cover shelves with aluminum foil or any other shelf material which may prevent air circulation;
- Should the Wine Cooler/Beverage Cooler be stored without use for long periods, it is suggested, after a careful cleaning, to leave the door ajar to allow air to circulate inside the cabinet in order to avoid possible formations of condensation, mold or odors.

➤ **Ambient Room Temperature Limits**

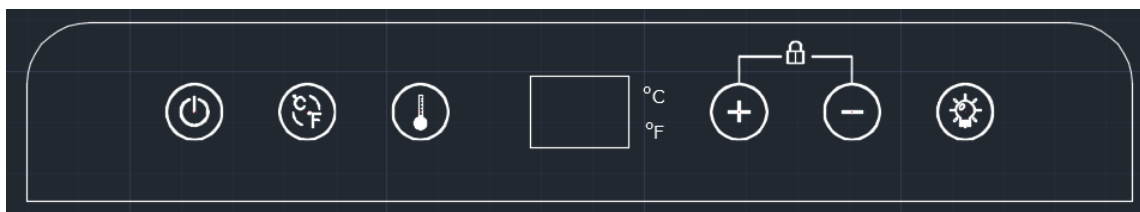
This appliance is designed to operate in ambient temperatures specified by its temperature class marked on the rating plate.











Class	Symbol	Ambient Temperatures range(°C)
Extended Temperate	SN	+ 10 to + 32
Temperate	N	+ 16 to + 32
Subtropical	ST	+ 16 to + 38
Tropical	T	+ 16 to + 43

Description of product number

OPERATING YOUR WINE COOLER/BEVERAGE COOLER AND SETTING THE TEMPERATURE CONTROL

➤ Control System Instruction

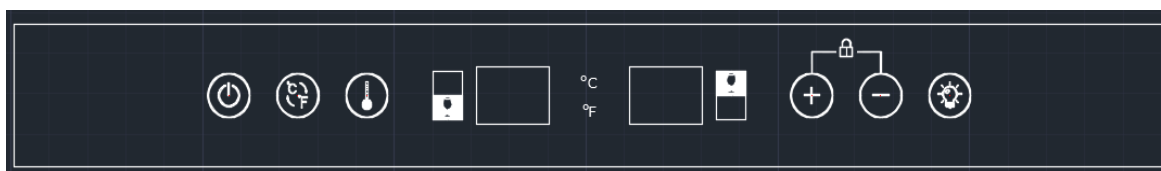












- Power switch : Press  for 3 seconds to turn the unit on or off.
- °C/°F switch: Press °C/°F button to change the temperature display between Celsius and Fahrenheit.
- Temperature setting button : Press  before adjusting the temperature. When pressing it for the first time, the display flashes and shows the setting temperature. After 5 seconds, it shows the measured interior temperature. Press  to increase the setting temperature and press  to decrease the setting temperature.
- Display window: 2-digit LED display to show setting temperature or actual interior temperature.
- Light button : Press  to turn on or off. The light will be automatically on when opening the door.
- Key lock function: If there is no any operation with digital control for 3 minutes, it will be locked automatically. Press  and  at the same time for 3 seconds to unlock.

➤ Setting The Temperature Controls

- You can set the temperature as you desire by pushing the “+” or “-” button. When you push the two buttons for the first time, the LED readout will show the original temperature set at the previous time.
- The temperature setting you desire will increase 1°C if you push the “+” button once, on the contrary the temperature will decrease 1°C if you push the “-” button once.
- To view the “set” temperature, (anytime) press and hold the corresponding button for approximately 5 seconds, the “set” temperature will temporarily “flash” in the LED display for 5 seconds.

➤ Control System Instruction



- Power switch : Press  for 3 seconds to turn the unit on or off.
- °C/°F switch: Press °C/°F button to change the temperature display between Celsius and Fahrenheit.
- Temperature setting button : Press  before adjusting the temperature. When pressing it for the first time, the display flashes and shows the setting temperature. After 5 seconds, it shows the measured interior temperature. Press  to increase the setting temperature and press  to decrease the setting temperature.
- 2 Display window: 2-digit LED display for each to show setting temperature or actual interior temperature.
- Light button : Press  to turn on or off. The light will be automatically on when opening the door.
- Key lock function: If there is no operation with digital control for 3 minutes, it will be locked automatically. Press  and  at the same time for 3 seconds to unlock.

➤ **Setting The Temperature Controls**

- When pressing the temperature setting button “+” or “-“, the system will enter in set up mode of the upper or lower compartment automatically. The LED display will flash and show the setting temperature. After 5 seconds, the flash will stop and it will show the actual measured interior temperature.
- Press the button once, the temperature will decrease or increase 1 °C. After 5 seconds of not pressing the buttons, the LED figure will stop flashing, then revert back to displaying the setting temperature of the upper or lower compartment.
- After the unit is unplugged, the system will return to its default setting temperature, which is set by the factory. The default setting temperature is as below:
- **Upper compartment:** The temperature setting can be adjusted from 12°C to 20°C
- **Lower compartment:** The temperature setting can be adjusted from 5°C to 12°C
- **the temperature difference between upper and lower zones needs to be at least 4°C**

➤ **Attention**

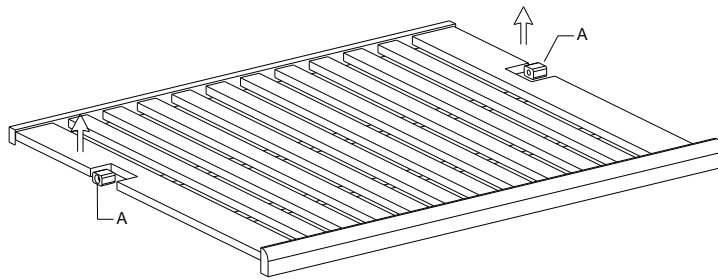
- If the unit is unplugged, power lost, or turned off, you must wait 3 to 5 minutes before restarting the unit. If you need to restart before this time delay, the Wine Cooler/Beverage Cooler will not start. If it is a first time use or longer absence before using, the temperature will differ between the setting and LED display temperature. After running for a period, the temperature will revert.

➤ **Shelves**

- To prevent damaging the door gasket, make sure to have the door opened all the way when pulling shelves out of the rail compartment.
- For easy access to the storage content, you must pull the shelves approximately 1/3 out of the rail compartment; however, this unit is designed with a notch on each side of the shelf tracks to prevent bottles from falling.
Please refer to the following directions for replacing shelves with a different method.

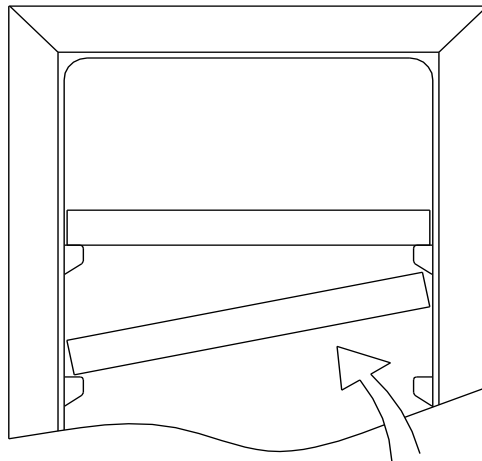
Type A

- If needing to remove shelves, move the shelf towards the gap on both sides and align with shelf support A. Then lift shelf upwards and pull from the cabinet, once the shelf support has disengaged from the gap.



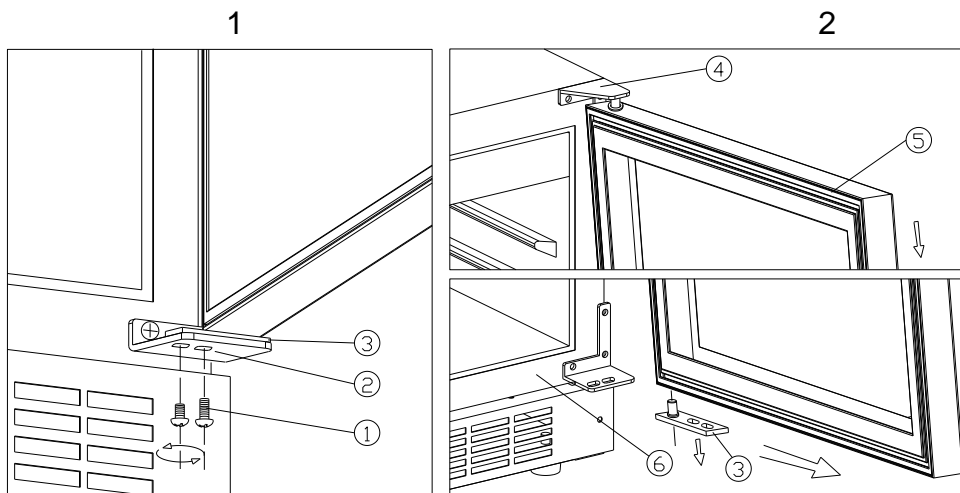
Type B

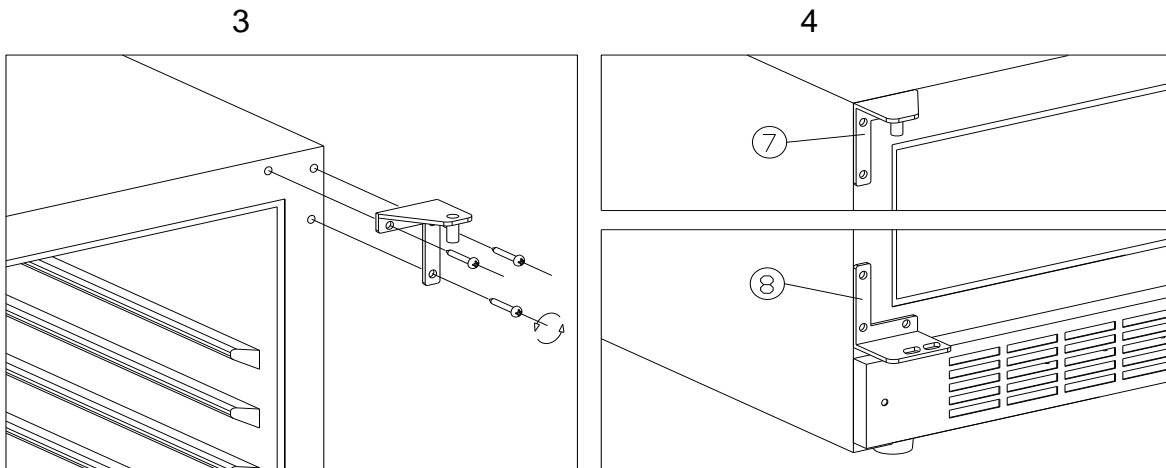
When removing a shelf from the rail compartment, to fit or remove it, tilt the shelf as per the diagram and simply pull out, or push in, until the shelf sits on the support brackets securely.



➤ **Reverse the door with visible hinge**

This appliance has the option of the door opening from either the left or right side. The unit purchased has the door opening from the side you have specified. Should you desire to reverse the opening direction, please follow the below instruction.

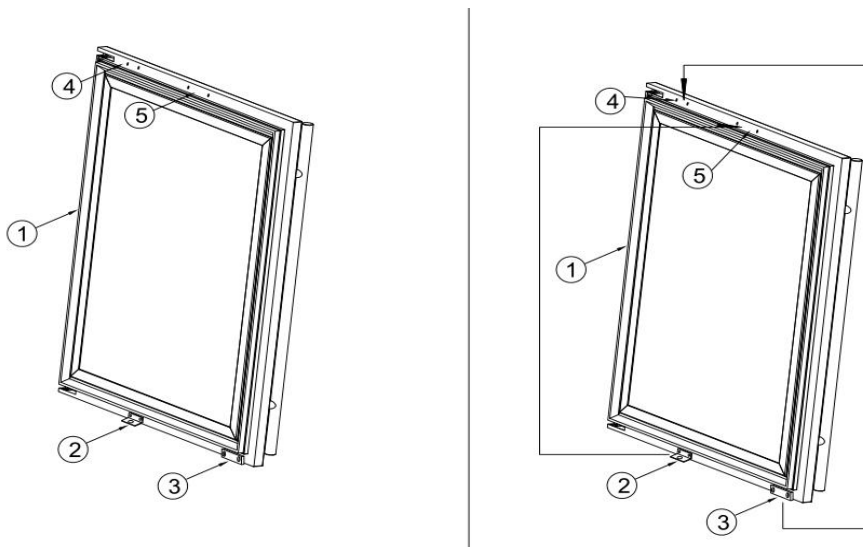




- ① Lock screws
- ② Lower hinge(Right)
- ③ Door axis
- ④ Top hinge(Right)
- ⑤ Door
- ⑥ Cabinet
- ⑦ Top hinge(Left)
- ⑧ Lower hinge(Left)

Unscrew the Lock screws ① (please see picture 1)
 Pull the door ⑤ outward, take it out (please see picture 2)
 Unscrew 3 bolts as indicated, take out the Top hinge(Right)④ (please see picture 3)
 Fix the Top hinge(Left) and Lower hinge(Left) with bolts on the position as picture shows,

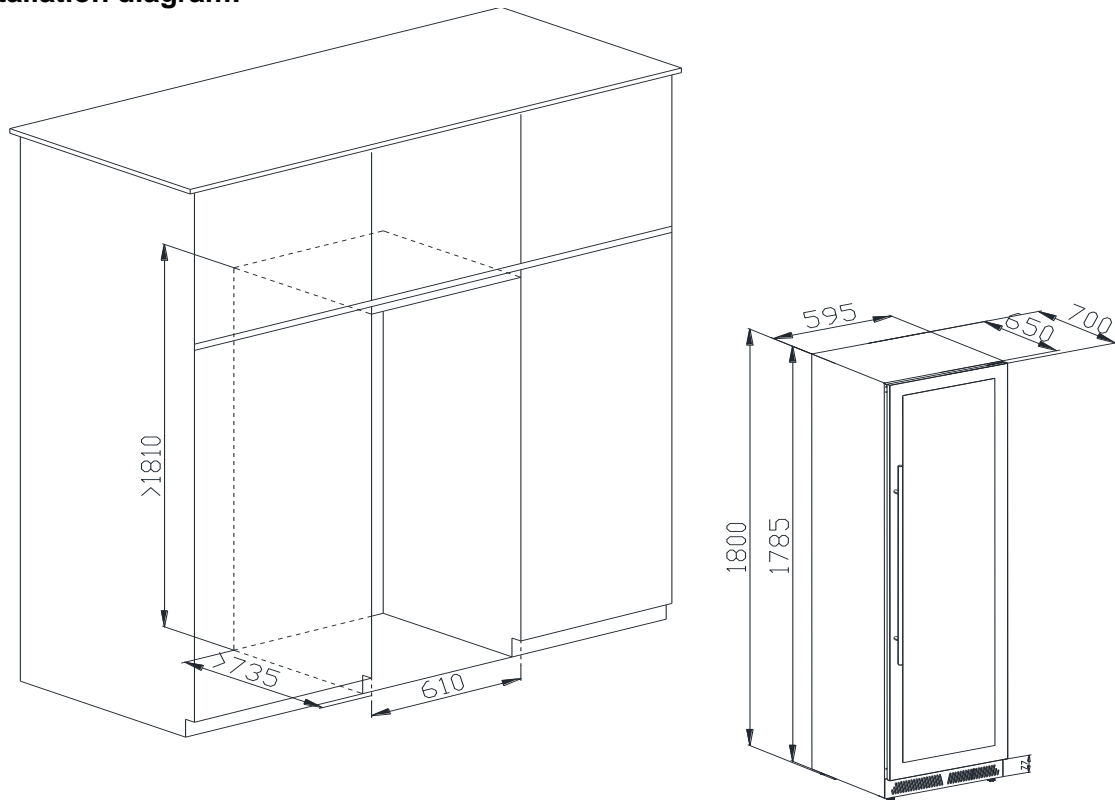
➤ **Change the door alarm parts**



- ① Door
- ② lock
- ③ door alarm magnet
- ④ magnet fix hole
- ⑤ lock fix hole

1. After changing the door, first unscrew ②lock and ③magnet like Image 1;
2. Then fix the ②lock to the position of ⑤lock hole
3. After changing this, affix ③magnet to the position of ④magnet hole.

Installation diagram:



UNPACKING AND CLEANING THE WINE COOLER

Remove the exterior and interior packing materials.

Let the appliance stand upright for approximately 24 hours before connecting it to the power source. This helps reduce the possibility of a cooling-system malfunction from handling during transportation.

Use a soft cloth to clean the interior surface with lukewarm water.

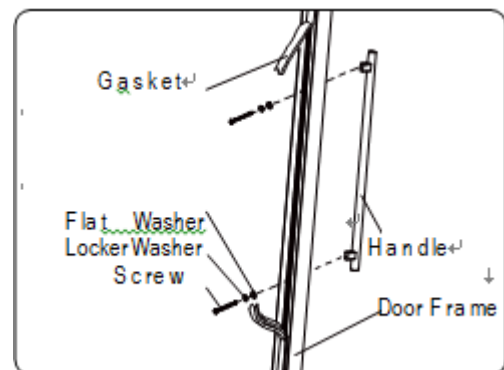
Install the door handle provided with the appliance by following these steps:

Step 1 — Remove the gasket at the inner side of the door to expose the two screw holes.

Step 2 — Install the handle securely with the screws and washers provided.

Be sure not to overtighten on full glass models as this can crack the glass.

Step 3 — Tidy and restore the gasket. If gasket shows gaps or warping, use a blow dryer to gently heat the gasket back to its original shape.



LOCK & UNLOCK THE DOOR (FOR OPTION)

Lock is an optional function. If your Wine Cooler has such function, a key is attached inside the packing of this Manual.

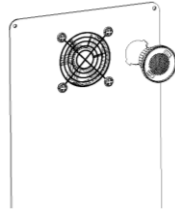
Insert the key into the lock and turn it counter-clockwise to unlock the door. To lock it, please follow the reverse operation. Please save the key.

CHARCOAL FILTRATION SYSTEM

Your wine is living and breathes naturally through its cork. In order to preserve the quality and taste of your fine wines, they must be stored at the ideal temperature and ambient conditions. Your cellar is equipped with an active charcoal filtration system to ensure air purity, cooling efficiency, and to maintain an odor free cabinet for the storage of your fine wines. The filtre assembly is located at the rear panel, inside your cellar.

Keep in mind, this filtre must be changed every 12 months.

To replace your filter:

1	Remove the bottles of wine stored on the two (2) shelves in front of the filtre.	 <p>Turn left to remove filtre.</p>
2	Remove the shelves and set aside to be replaced once you have changed the filtre	
3	Hold the filtre, turn it at 45 degrees in the counter-clockwise direction, and then pull it out.	
4	Remove the existing filtre and replace with a new one.	
5	Put the new filtre into the hole and then turn the filtre at 45 degrees in clockwise direction.	

CARE & MAINTENANCE

➤ **Clean your Wine Cooler/Beverage Cooler**

Turn off the power, unplug the appliance, and remove all items including shelves and rack. Wash the inside surfaces with warm water and a mild solution.

Wash the shelves with a mild detergent solution.

Wring excess water out of the sponge or cloth when cleaning area of the controls, or any electrical parts.

Wash the outside cabinet with warm water and mild liquid detergent. Rinse well and wipe dry with a clean soft cloth.

➤ **Power Failure**

Most power failures correct themselves within a few hours and should not affect the temperature of your appliance, if you minimize the number of times the door opens. If the power will be off for a longer period, you will need to take the proper steps to protect your contents.

➤ **Vacation Time**

Short vacations: Leave the Wine Cooler/Beverage Cooler operating during vacations of

less than three weeks.

If the appliance will go unused for several months, remove all items and turn off the appliance. Clean and dry the interior thoroughly. To prevent odor and mold growth, leave the door open slightly: blocking it open if necessary.

➤ **Moving your Wine Cooler/Beverage Cooler:**

Remove all items.

Take out loose items inside the Wine Cooler/Beverage Cooler (such as shelves), or fix the loose items with foam.

Turn the adjustable legs up to their base to avoid damage.

Tape the door shut.

Be sure the appliance stays secure in the upright position during transportation. Protect outside of your appliance with a blanket or similar items.

➤ **Energy Saving Tips:**

The Wine Cooler/Beverage Cooler should be located in the coolest area of the room, away from operating appliances, and out of direct sunlight.


PROBLEMS WITH YOUR WINE COOLER/BEVERAGE COOLER

Troubleshooting Guide

Problem	Possible Cause
Wine Cooler/Beverage Cooler does not operate	Not plugged in. The appliance is "OFF." The circuit breaker tripped or a fuse is blown.
Wine Cooler/Beverage Cooler is not cold enough	Check the temperature control setting. External environment may require a higher setting. The door is opened too often. The door is not closed completely. The door gasket does not seal properly.
Turns on and off frequently	The room temperature is hotter than normal. Overloading of the cabinet The door is opened too often. The door is not closed completely. The temperature control is not set correctly. The door gasket does not seal properly.
The light does not work	Not plugged in. The circuit breaker tripped or a fuse is blown. The bulb has burned out. The light button is "OFF."
Vibrations	Check to be sure the Wine Cooler/Beverage Cooler is level.
Too much noise	A rattling noise may come from the flow of the refrigerant, which is normal. As each cycle ends, you may hear gurgling. Contraction and expansion of the inside walls may cause popping and crackling noises. The Wine Cooler/Beverage Cooler is not level.
The door will not close properly	The Wine Cooler/Beverage Cooler is not level. The door was reversed and not properly installed. The gasket is dirty or warped. The shelves are out of position.

Before disposal of the appliance.

1. Disconnect the main plug from the main socket.
2. Cut off the main cable and discard it.

	Correct disposal of this product
	<p>This symbol on the product, or in its packaging, indicates that this product may not be treated as household waste. Instead, it should be taken to the appropriate waste collection point for the recycling of electrical and electronic equipment. By ensuring this product is disposed of correctly, you will help prevent potential negative consequences for the environment and human health, which could otherwise be caused by the inappropriate waste handling of this product. For more detailed information about the recycling of this product, please contact your local council, your household waste disposal service, or the shop where you purchased the product.</p>

Correct Disposal of this product:

To prevent possible harm to the environment or human health from uncontrolled waste disposal, recycle you appliance responsibly to promote the sustainable reuse of material resources. To return your used device, please use your local return/collection systems or contact the retailer where the product was purchased. They may refer you to environmentally safe, recycling centres in your area.