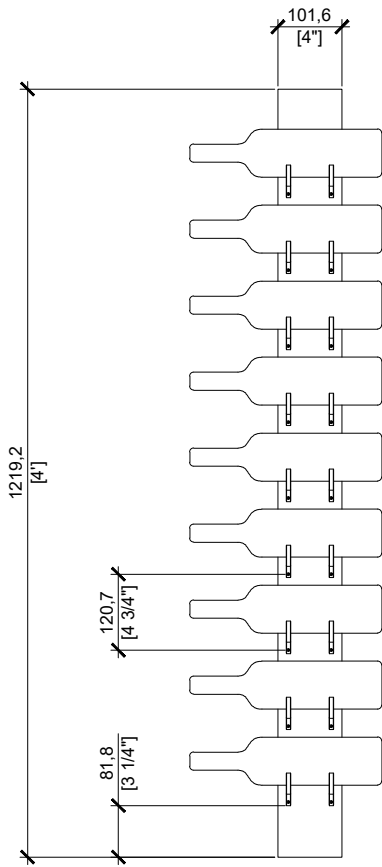
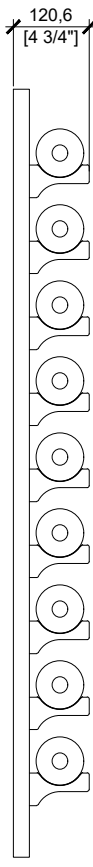


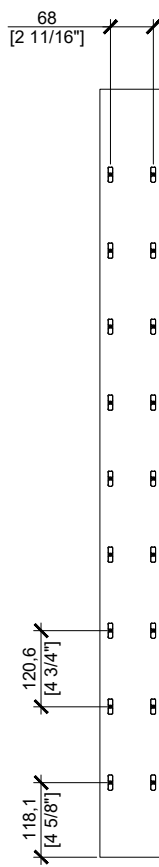
TOP



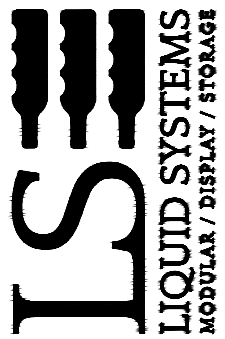
FRONT



SIDE



MOUNTING LOCATIONS

 <p>LIQUID SYSTEMS CLASSIC 4FT</p>	Project:	Scale:	1" = 1'-0"
	Drawing:	Date:	24.APR.2020
<p>SINGLE DEPTH - 9 BOTTLE DISPLAY</p>	Date	Issue/Revision	Drawing No:
			SD1.0

COPYRIGHT RESERVED: This drawing proposal and design are to remain the property of DAINTREE INDUSTRIES LTD.