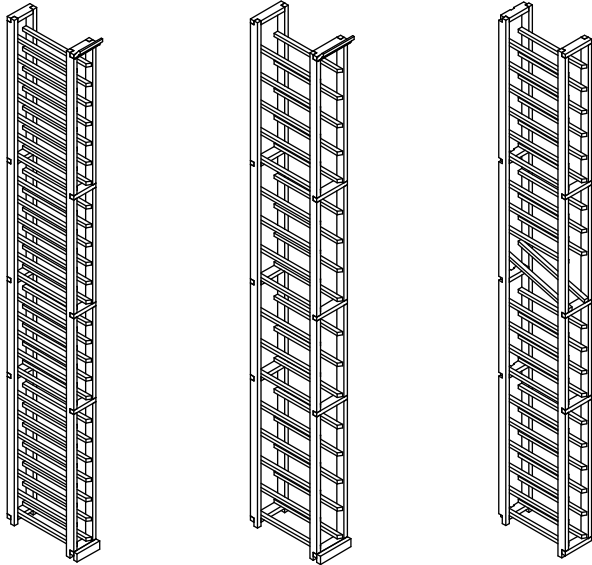


ELITE KIT RACK ASSEMBLY INSTRUCTION

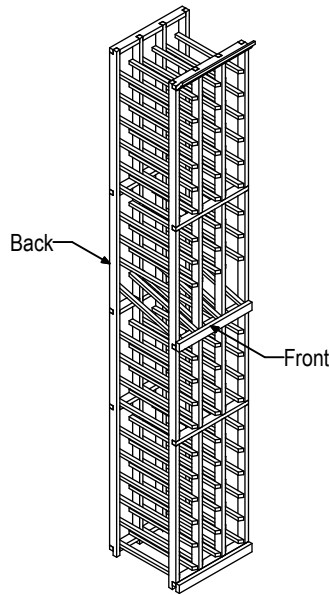
Thank you for purchasing Elite Kit Rack by Genuine Cellars. The following instructions will help you assemble the 750ml 3 COLUMN RACK. The same procedure can be applied to the following kits shown.

Please study the instructions carefully prior to starting the assembly.

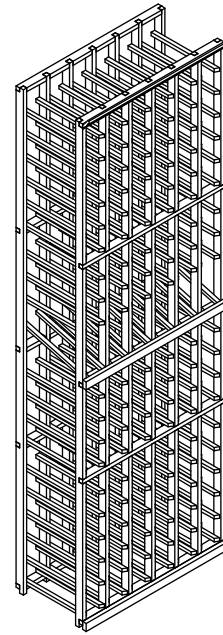
375ml SINGLE COLUMN RACK 1.5L SINGLE COLUMN RACK 750ml SINGLE COLUMN RACK



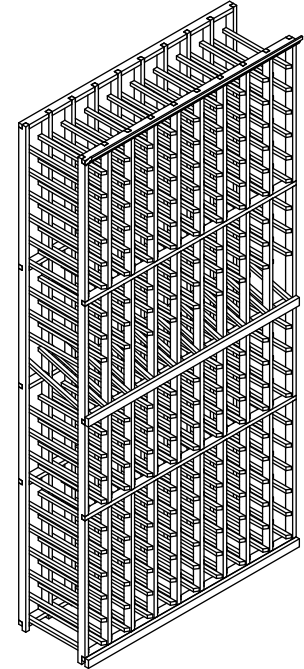
750ml 3 COLUMN RACK



750ml 6 COLUMN RACK

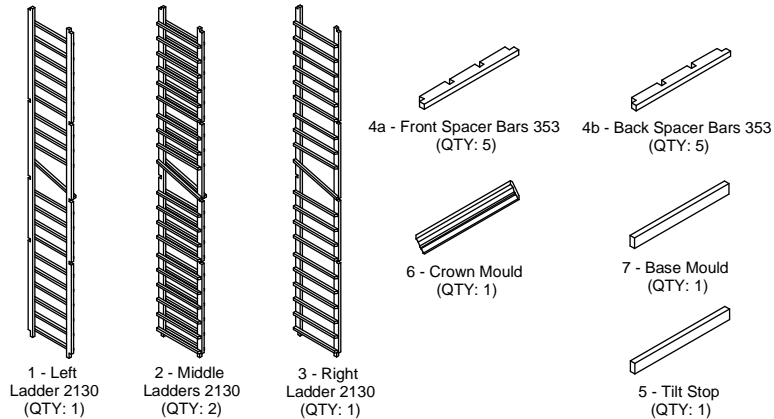


750ml 9 COLUMN RACK



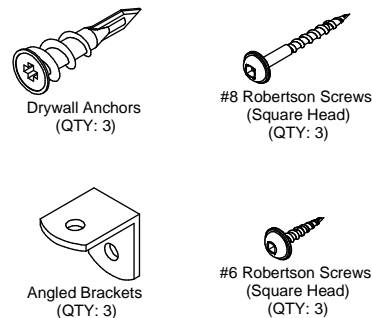
COMPONENTS

The following components are included in the 750ml 3 COLUMN RACK.
(COMPONENTS WILL VARY IN QUANTITY AND SIZE, DEPENDING ON KIT.)



HARDWARE

The following hardware is included in all kits:
(QUANTITY WILL VARY, DEPENDING ON KIT.)

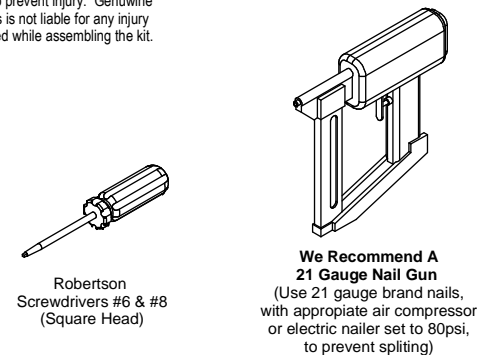


TOOLS REQUIRED

The following tools are required (NOT INCLUDED):

IMPORTANT!

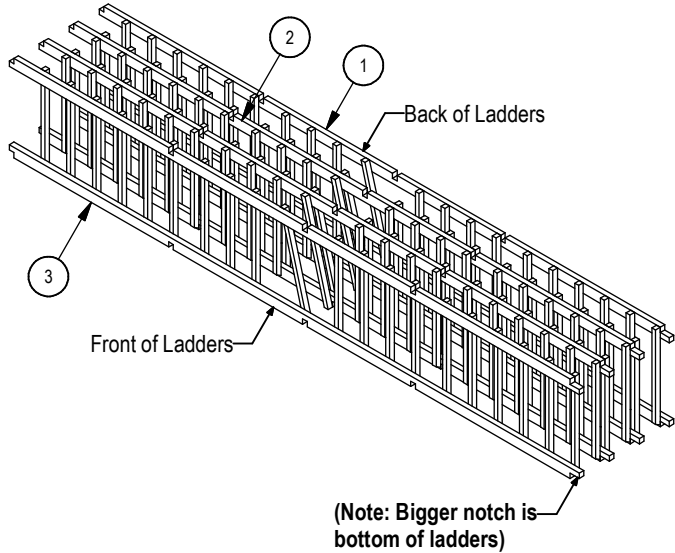
Always follow the manufacturer's instructions on how to use the nail gun, to prevent injury. Genuine Cellars is not liable for any injury incurred while assembling the kit.



We Recommend A 21 Gauge Nail Gun
(Use 21 gauge brand nails, with appropriate air compressor or electric nailer set to 80psi, to prevent splitting)

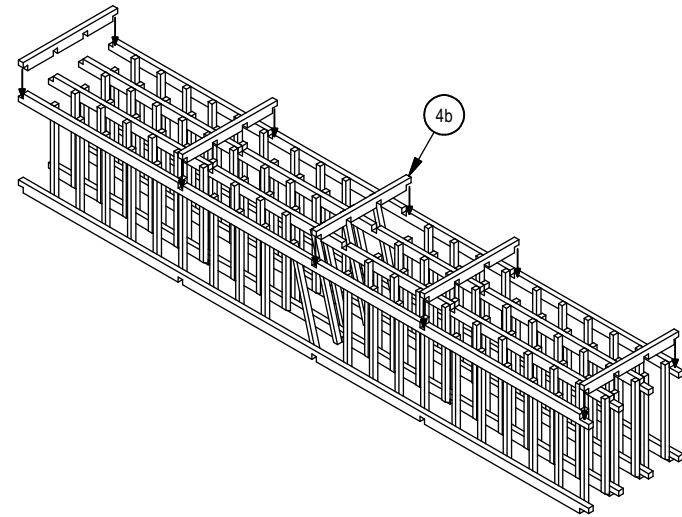
STEP 1

Starting from the back of the racks. Place the ladders on flat, soft surface, so not to damage front of racks. Space the ladders accordingly. **(Note: Ensure proper placement of ladders, and bottoms are all in same direction. Left and right ladders, are placed on the ends. Bottle tilt should be in same direction.)**



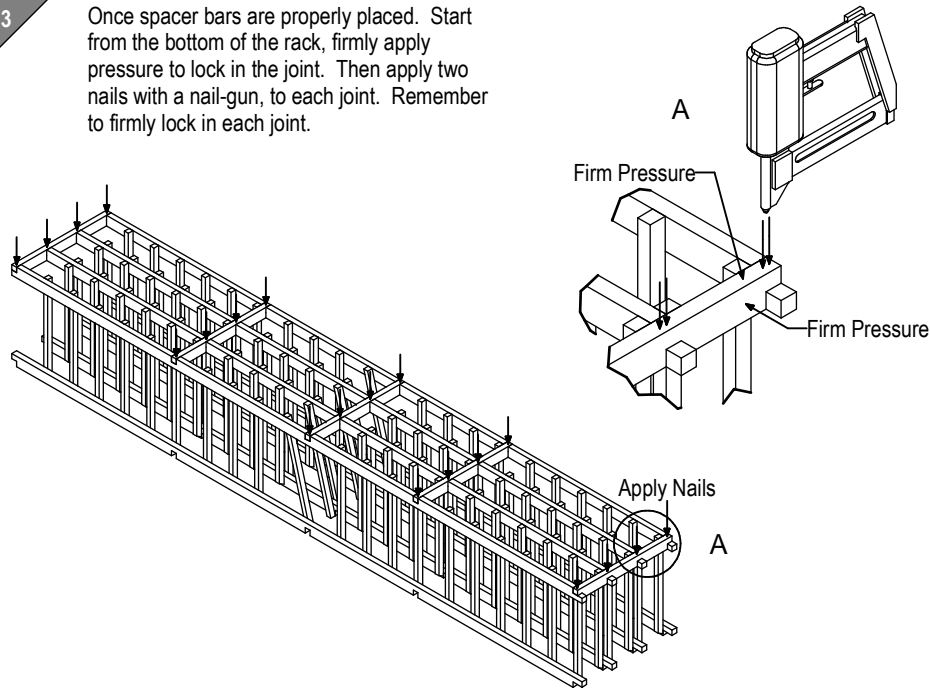
STEP 2

From the bottom and working your way up, place the back spacer bars (4b) according to the ladder notches. Make sure to carefully interlock the spacer bars to the ladders.



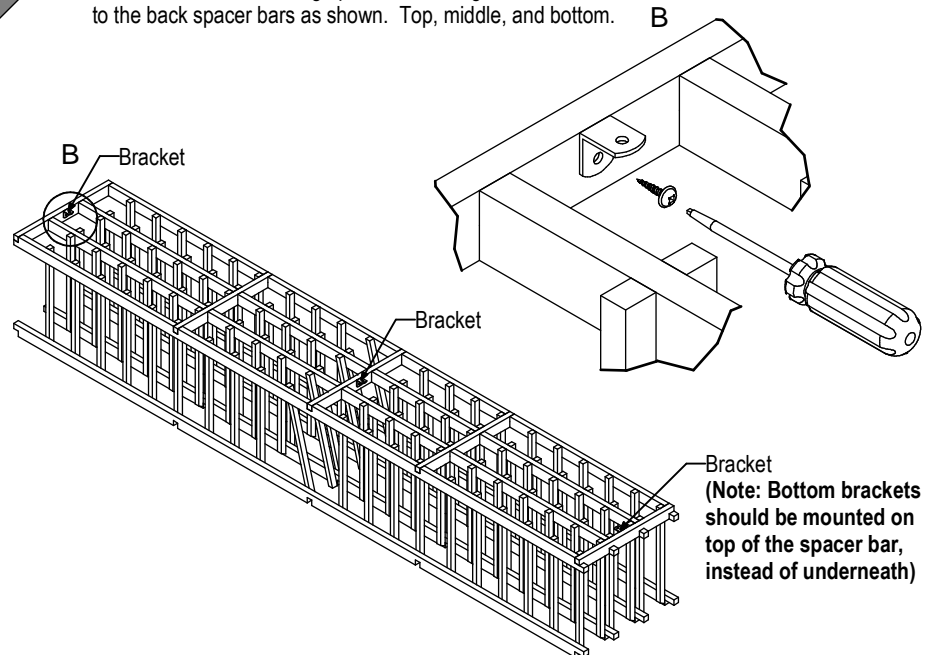
STEP 3

Once spacer bars are properly placed. Start from the bottom of the rack, firmly apply pressure to lock in the joint. Then apply two nails with a nail-gun, to each joint. Remember to firmly lock in each joint.



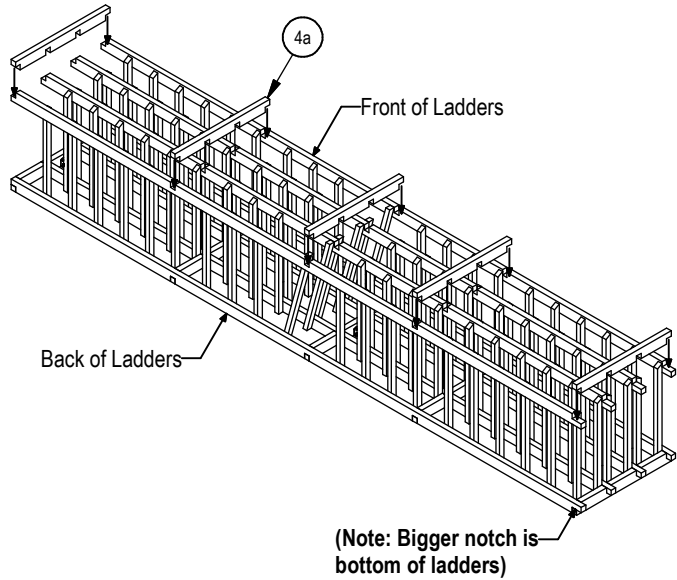
STEP 4

While backs are still facing up, screw the angled brackets to the back spacer bars as shown. Top, middle, and bottom.



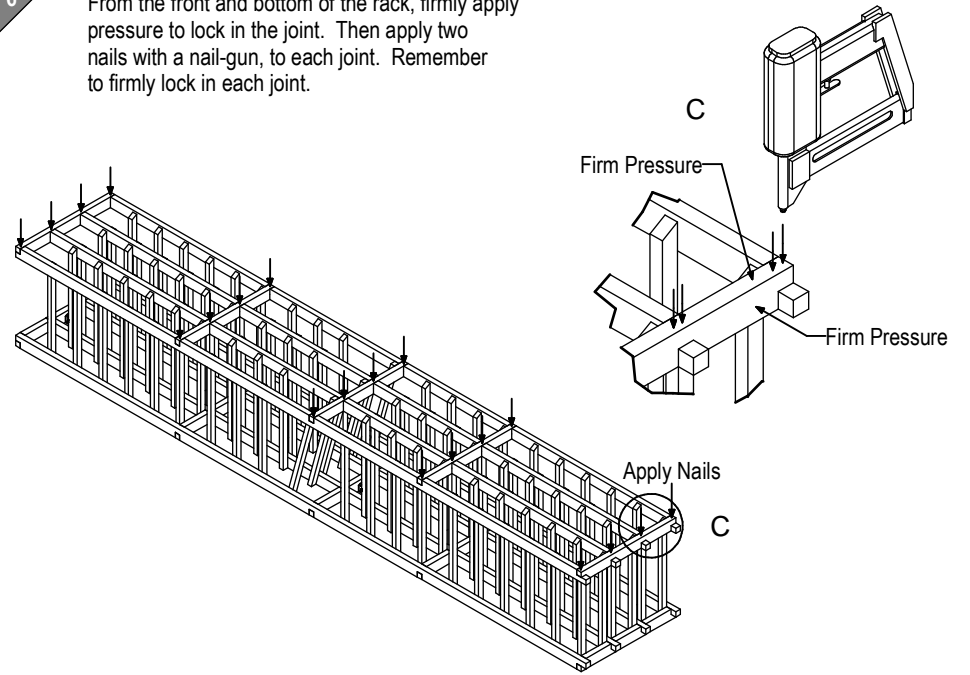
STEP 5

With the help of another person, turn the rack so the back is on the floor, and the front is facing up. Starting from bottom up, place the front spacer bars (4a) according to the ladder notches. Make sure to carefully interlock the spacer bars to the ladders.



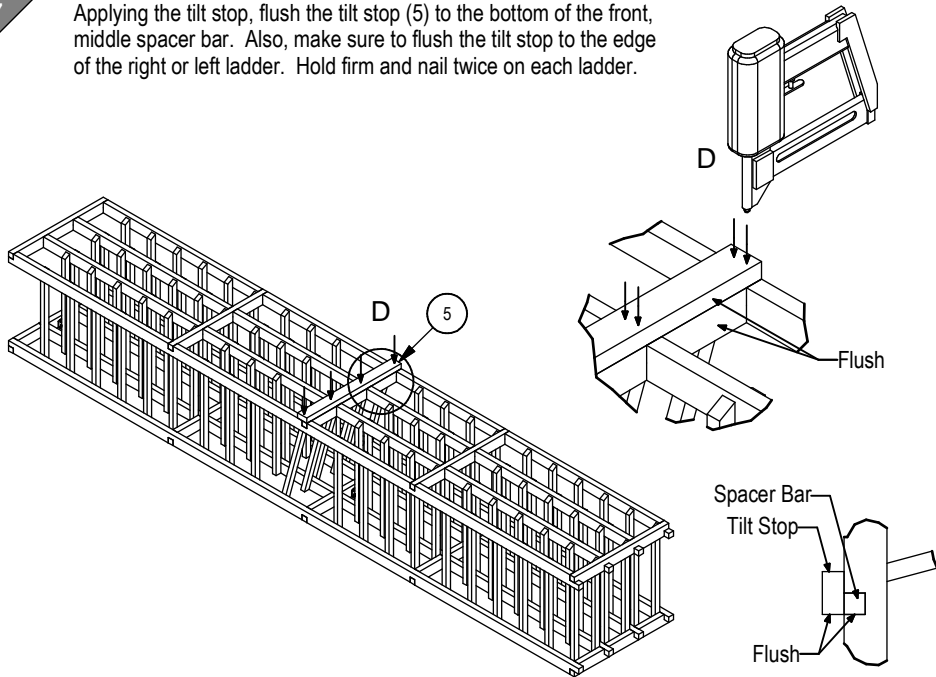
STEP 6

From the front and bottom of the rack, firmly apply pressure to lock in the joint. Then apply two nails with a nail-gun, to each joint. Remember to firmly lock in each joint.



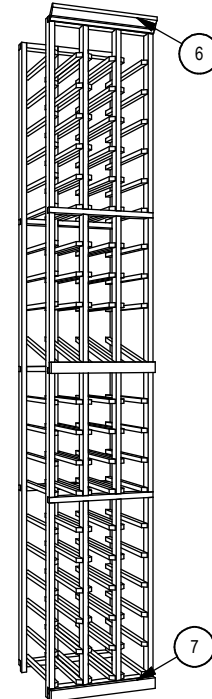
STEP 7

Applying the tilt stop, flush the tilt stop (5) to the bottom of the front, middle spacer bar. Also, make sure to flush the tilt stop to the edge of the right or left ladder. Hold firm and nail twice on each ladder.



STEP 8

Optional, finish the 750ml column by applying the base and crown mould.



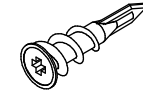
ELITE KIT RACK ASSEMBLY INSTRUCTION

Thank you for purchasing Elite Kit Rack by Genuine Cellars. The following instructions will help you assemble the 750ml 6 COLUMN 1/2 HEIGHT RACK. The same procedure can be applied to the following kits shown.

Please study the instructions carefully prior to starting the assembly.

HARDWARE

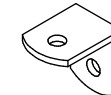
The following hardware is included in all kits:
(QUANTITY WILL VARY, DEPENDING ON KIT.)



Drywall Anchors
(QTY: 4)



#8 Robertson Screws
(Square Head)
(QTY: 4)



Angled Brackets
(QTY: 4)



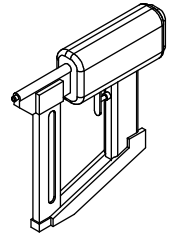
#6 Robertson Screws
(Square Head)
(QTY: 4)

TOOLS REQUIRED

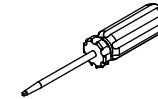
The following tools are required (NOT INCLUDED):

IMPORTANT!

Always follow the manufacturer's instructions on how to use the nail gun, to prevent injury. Genuine Cellars is not liable for any injury incurred while assembling the kit.

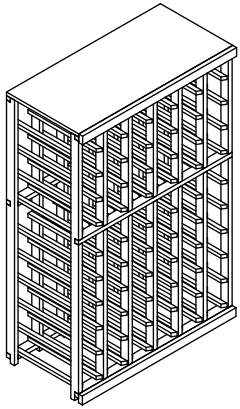


We Recommend A 21 Gauge Nail Gun
(Use 21 gauge brand nails, with appropriate air compressor or electric nailer set to 80psi, to prevent splitting)

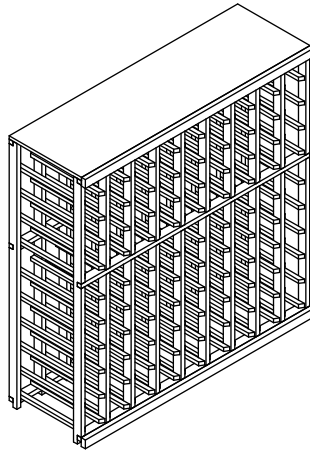


Robertson Screwdrivers #6 & #8
(Square Head)

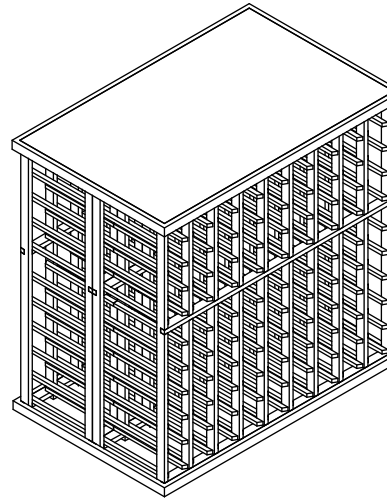
750ml 6 COLUMN 1/2 HEIGHT RACK



750ml 9 COLUMN 1/2 HEIGHT RACK

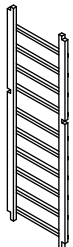


750ml TASTING TABLE



COMPONENTS

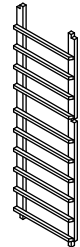
The following components are included in the 750ml 6 COLUMN 1/2 HEIGHT RACK.
(COMPONENTS WILL VARY IN QUANTITY AND SIZE, DEPENDING ON KIT.)



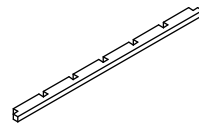
1 - Left Ladder 1034
(QTY: 1)



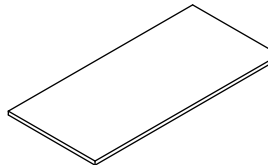
2 - Middle Ladder 1034
(QTY: 5)



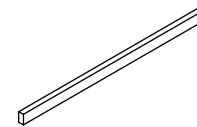
3 - Right Ladder 1034
(QTY: 1)



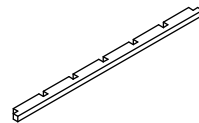
4a - Front Spacer Bars 689
(QTY: 3)



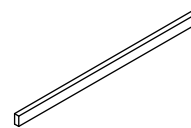
5a - Counter Top 689
(QTY: 1)



6 - Base Mould 689
(QTY: 1)



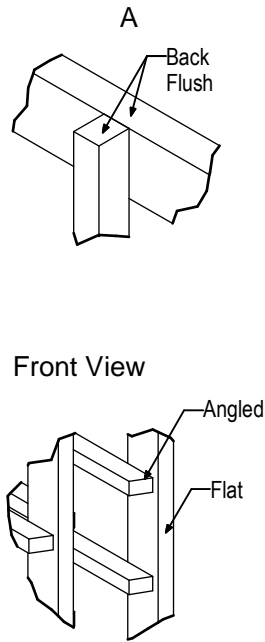
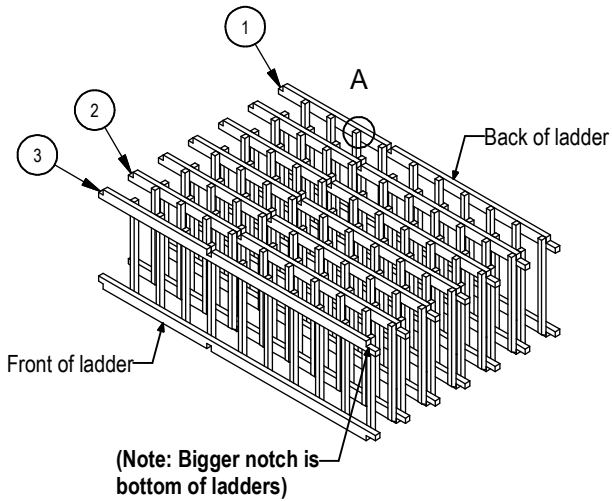
4b - Back Spacer Bars 689
(QTY: 3)



5b - Counter Nosing 689
(QTY: 1)

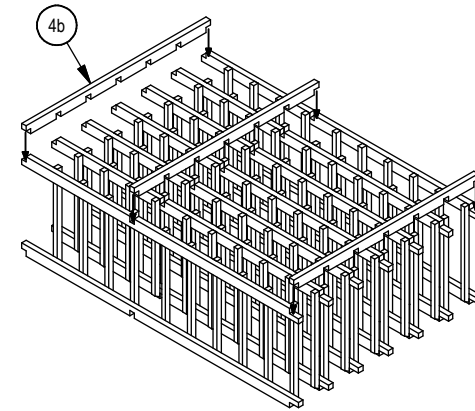
STEP 1

Starting from the back of the rack. Place the ladders on flat, soft surface, so not to damage front of rack. Space the ladders accordingly. **(Note: Ensure proper placement of ladders, and bottoms are all in same direction as shown.)**



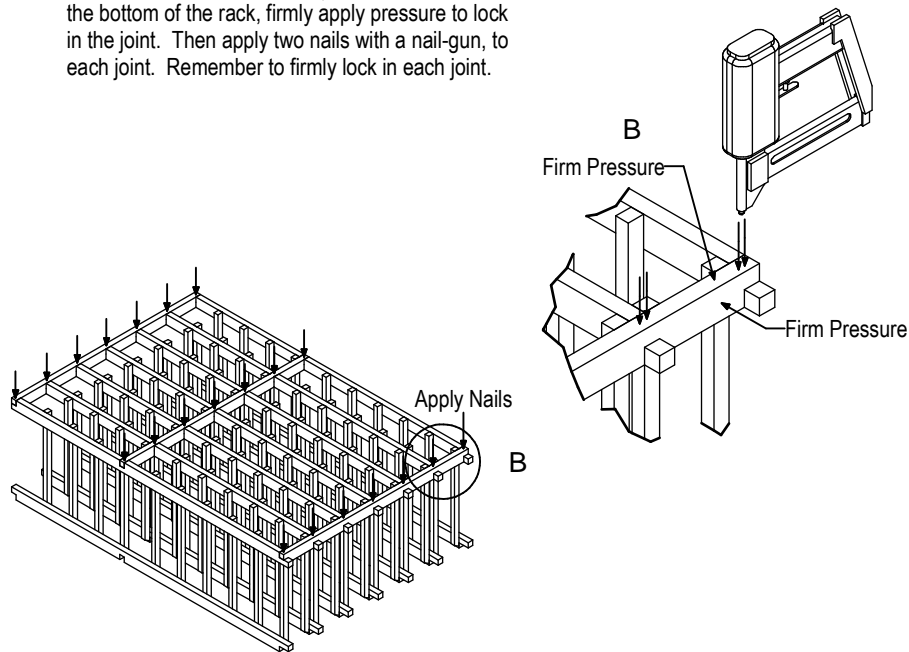
STEP 2

From the bottom and working your way up, place the back spacer bars (4b) according to the ladder notches. Make sure to carefully interlock the spacer bars to the ladders.



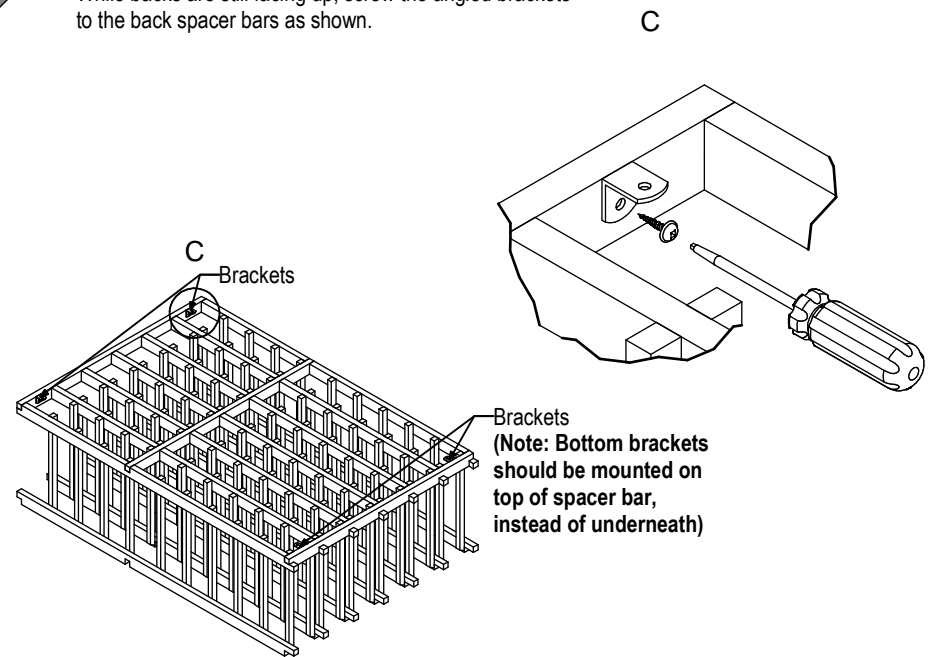
STEP 3

Once spacer bars are properly placed. Start from the bottom of the rack, firmly apply pressure to lock in the joint. Then apply two nails with a nail-gun, to each joint. Remember to firmly lock in each joint.



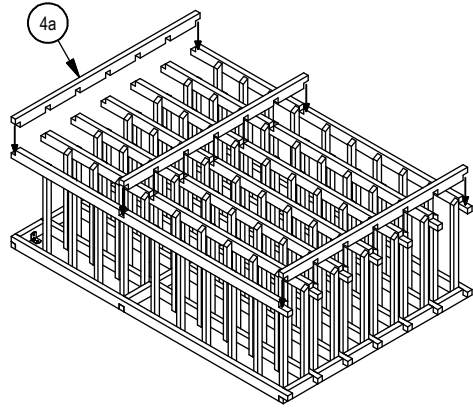
STEP 4

While backs are still facing up, screw the angled brackets to the back spacer bars as shown.



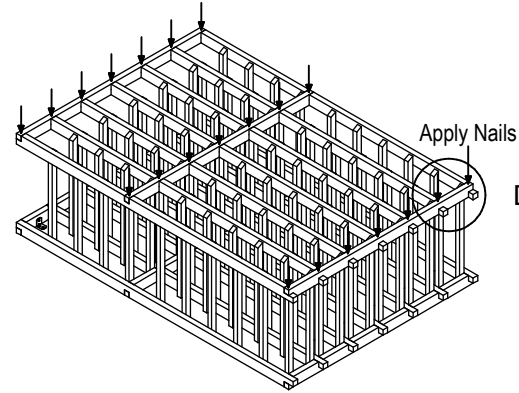
STEP 5

With the help of another person, turn the rack so the back is on the floor, and the front is facing up. Starting from bottom up, place the front spacer bars (4a) according to the ladder notches. Make sure to carefully interlock the spacer bars to the ladders.



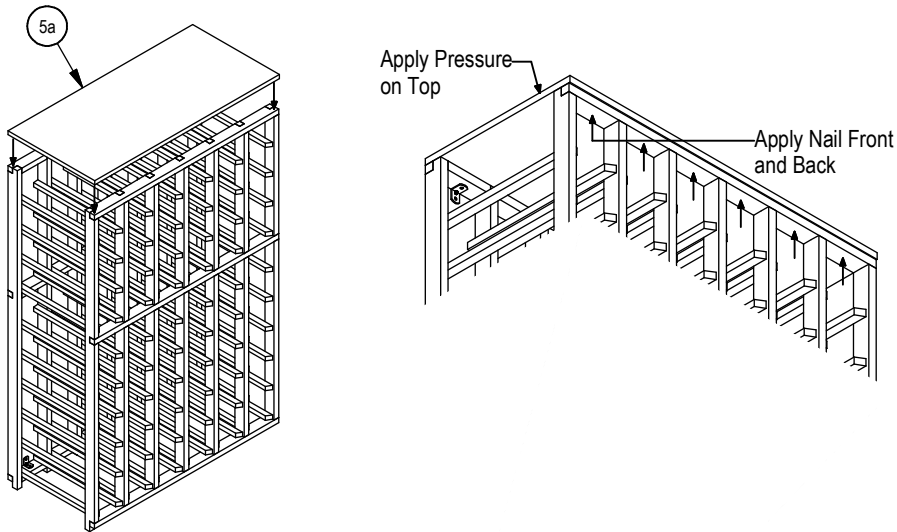
STEP 6

From the front and bottom of the rack, firmly apply pressure to lock in the joint. Then apply two nails with a nail-gun, to each joint. Remember to firmly lock in each joint.



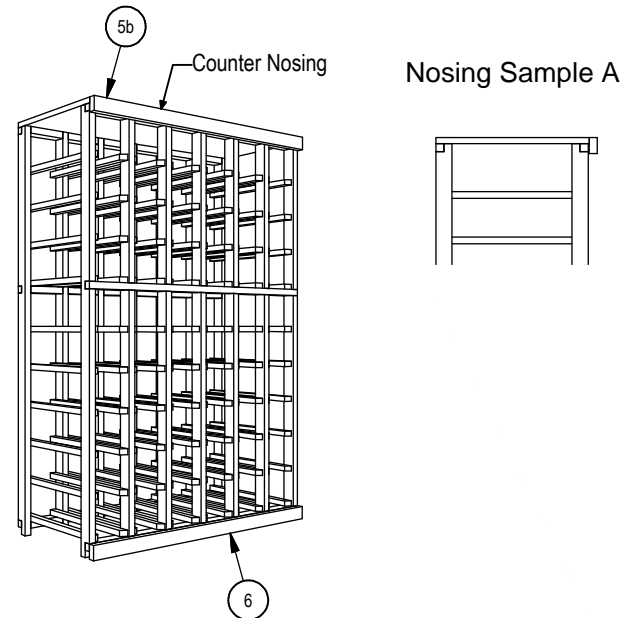
STEP 7

To apply the counter top (5a), stand the rack upright. Flush the counter top to the back, left and right side of the rack. Apply pressure to the top of the counter. Nailing from underneath, apply nails through the front and back spacer bars, into the counter top.



STEP 8

To finish the 750ml 1/2 height rack, apply the base mould (6) as shown. Applying counter top nosing (5b) there are 2 options. Option A, or nosing can be left off.

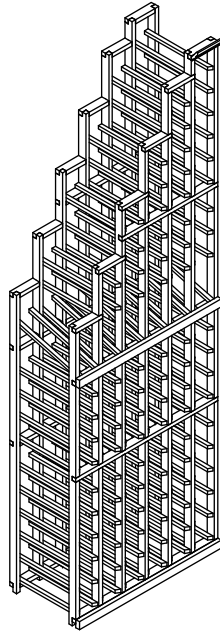


ELITE KIT RACK ASSEMBLY INSTRUCTION

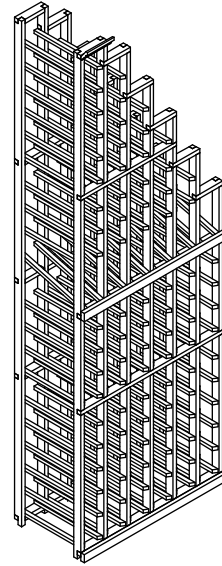
Thank you for purchasing Elite Kit Rack by Genuine Cellars. The following instructions will help you assemble the 750ml CASCADE LEFT. The same procedure can be applied to the following kits shown.

Please study the instructions carefully prior to starting the assembly.

750ml CASCADE LEFT

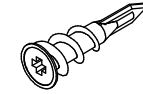


750ml CASCADE RIGHT



HARDWARE

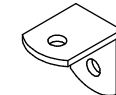
The following hardware is included in all kits:
(QUANTITY WILL VARY, DEPENDING ON KIT.)



Drywall Anchors
(QTY: 6)



#8 Robertson Screws
(Square Head)
(QTY: 6)



Angled Brackets
(QTY: 6)



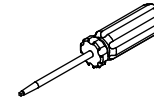
#6 Robertson Screws
(Square Head)
(QTY: 6)

TOOLS REQUIRED

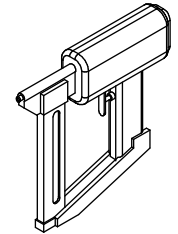
The following tools are required (NOT INCLUDED):

IMPORTANT!

Always follow the manufacturer's instructions on how to use the nail gun, to prevent injury. Genuine Cellars is not liable for any injury incurred while assembling the kit.



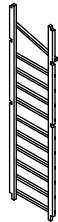
Robertson
Screwdrivers #6 & #8
(Square Head)



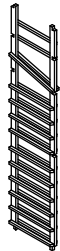
**We Recommend A
21 Gauge Nail Gun**
(Use 21 gauge brand nails,
with appropriate air compressor
or electric nailer set to 80psi,
to prevent splitting)

COMPONENTS

The following components are included in the 750ml CASCADE LEFT.



1 - Left
Ladder 1257
(QTY: 1)



2a - Middle
Ladder 1449
(QTY: 1)



2b - Middle
Ladder 1661
(QTY: 1)



2c - Middle
Ladder 1853
(QTY: 1)



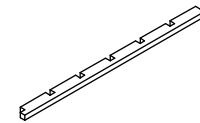
2d - Middle
Ladder 2045
(QTY: 1)



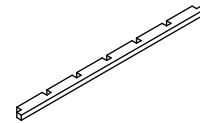
2e - Middle
Ladder 2130
(QTY: 1)



3 - Right
Ladder 2130
(QTY: 1)



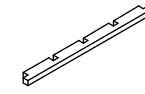
4a - Front Spacer Bars 689
(QTY: 3)



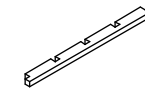
4b - Back Spacer Bars 689
(QTY: 3)



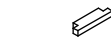
6a - Front Spacer Bars 129
(QTY: 6)



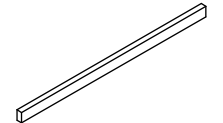
5a - Front Spacer Bars 465
(QTY: 1)



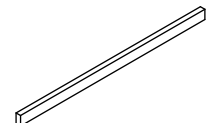
5b - Back Spacer Bars 465
(QTY: 1)



6b - Back Spacer Bars 129
(QTY: 6)



7 - Tilt Stop 689
(QTY: 1)



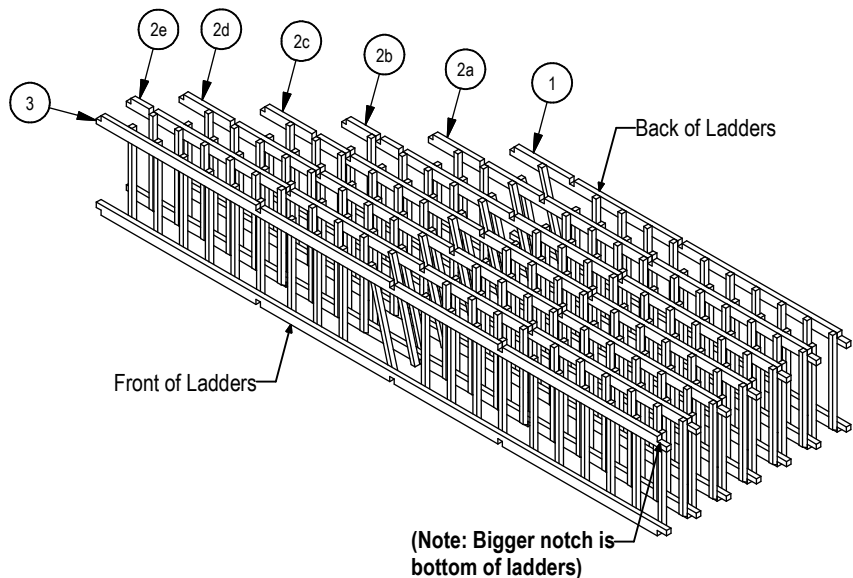
9 - Base Mould 689
(QTY: 1)



8 - Crown Mould 129
(QTY: 1)

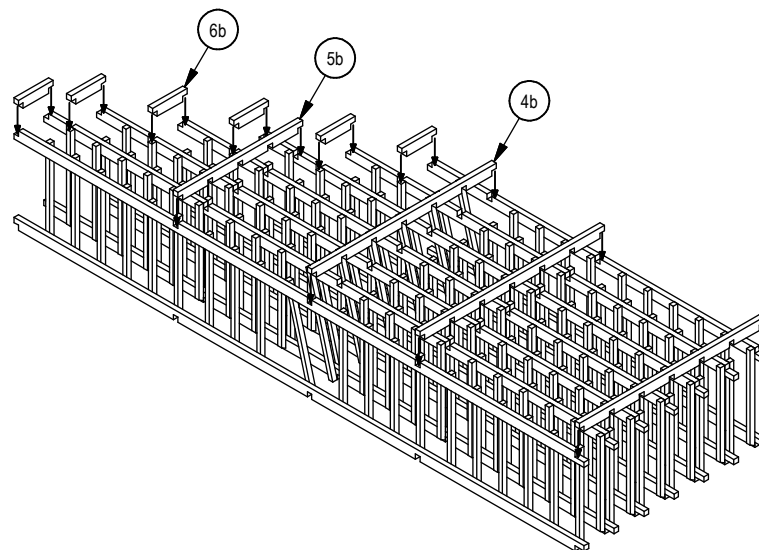
STEP 1

Starting from the back of the racks. Place the ladders on flat, soft surface, so not to damage front of racks. Space the ladders accordingly. **(Note: Ensure proper placement of ladders, and bottoms are all in same direction as shown.)**



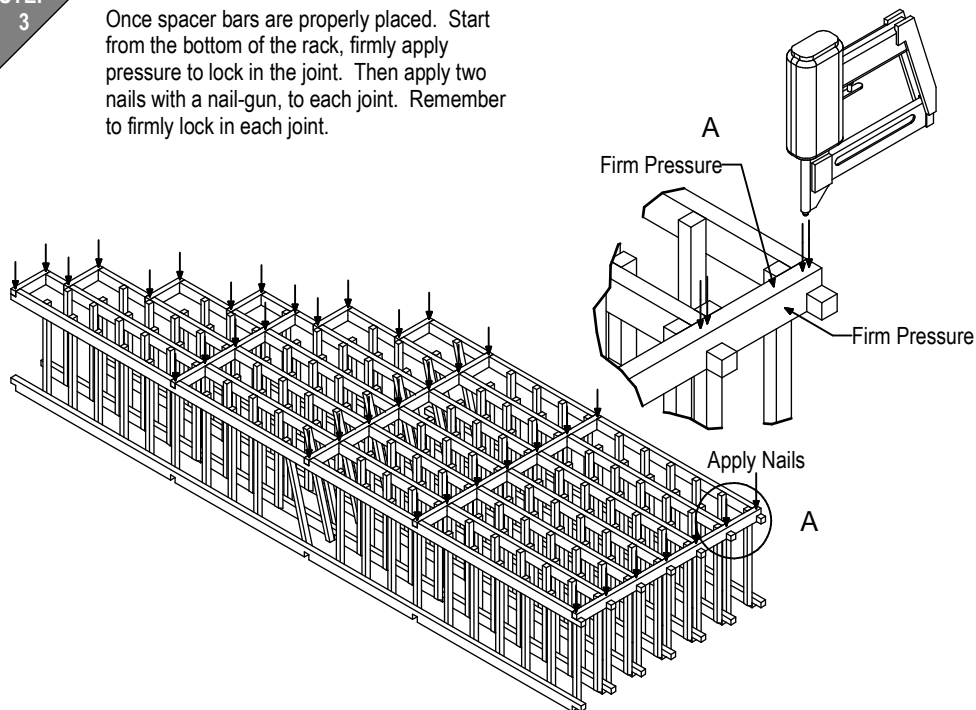
STEP 2

From the bottom and working your way up, place the back spacer bars (4b)(5b)(6b) according to the ladder notches. Make sure to carefully interlock the spacer bars to the ladders.



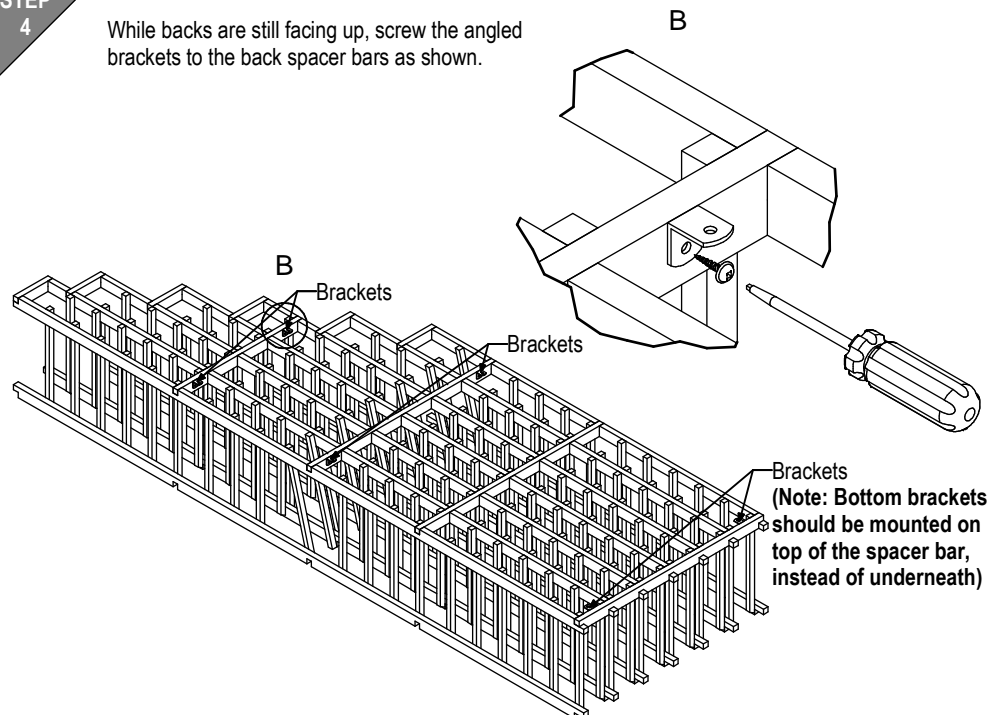
STEP 3

Once spacer bars are properly placed. Start from the bottom of the rack, firmly apply pressure to lock in the joint. Then apply two nails with a nail-gun, to each joint. Remember to firmly lock in each joint.



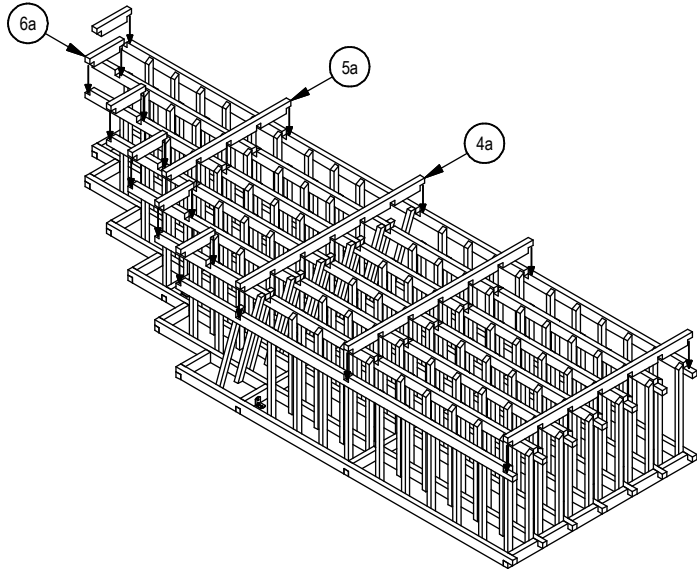
STEP 4

While backs are still facing up, screw the angled brackets to the back spacer bars as shown.



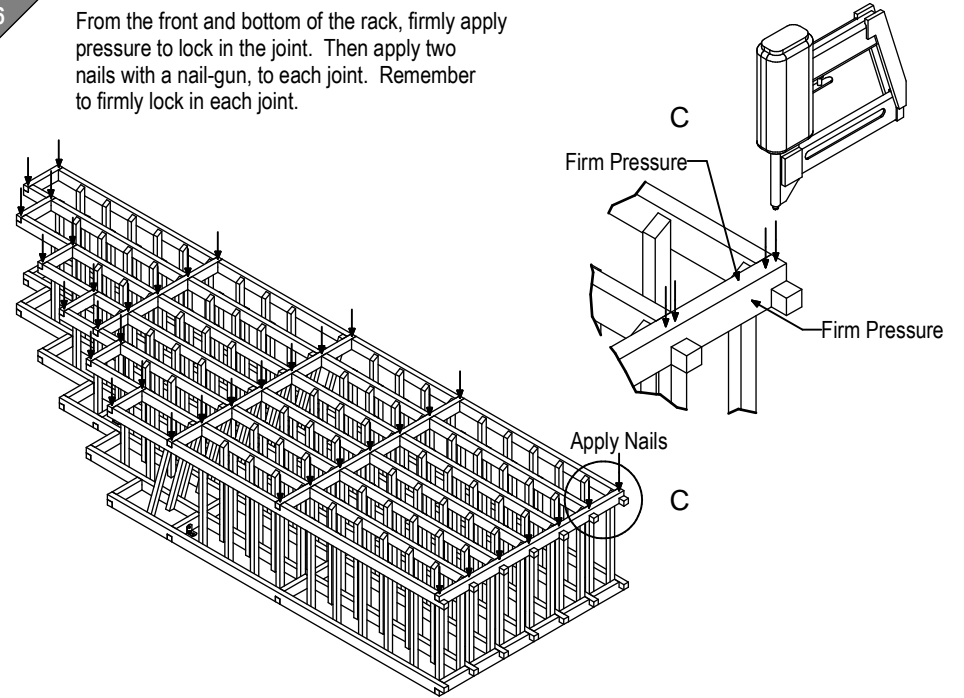
STEP 5

With the help of another person, turn the rack so the back is on the floor, and the front is facing up. Starting from bottom and work your way up, place the front spacer bars (4a)(5a)(6a) according to the ladder notches. Make sure to carefully interlock the spacer bars to the ladders.



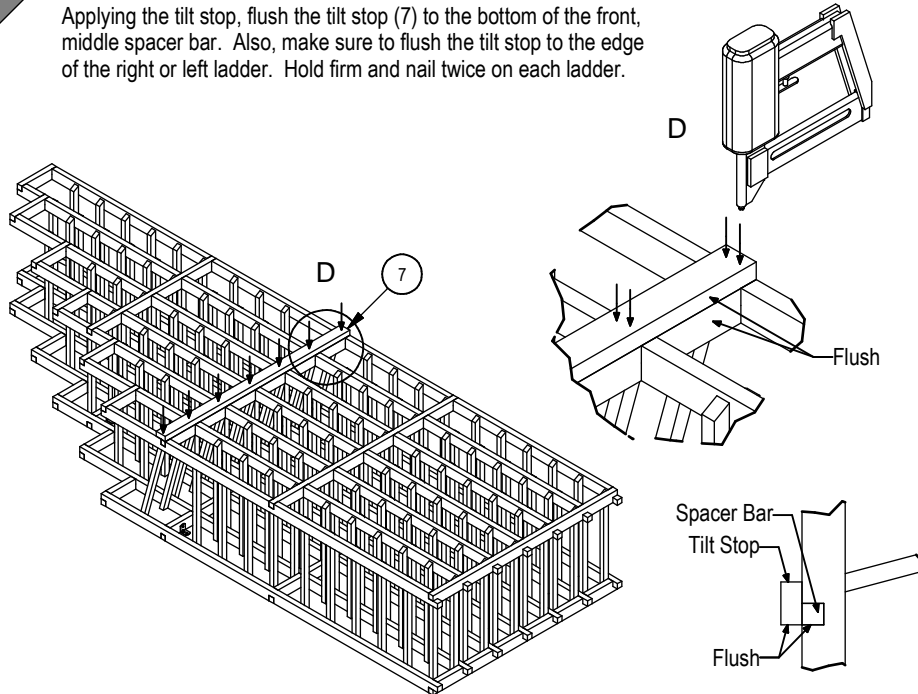
STEP 6

From the front and bottom of the rack, firmly apply pressure to lock in the joint. Then apply two nails with a nail-gun, to each joint. Remember to firmly lock in each joint.



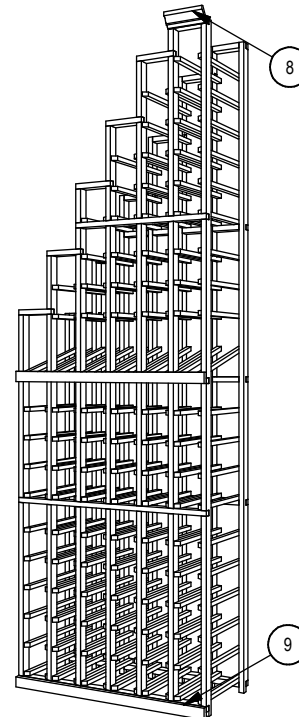
STEP 7

Applying the tilt stop, flush the tilt stop (7) to the bottom of the front, middle spacer bar. Also, make sure to flush the tilt stop to the edge of the right or left ladder. Hold firm and nail twice on each ladder.



STEP 8

Optional, finish the cascade rack by applying the base and crown mould.

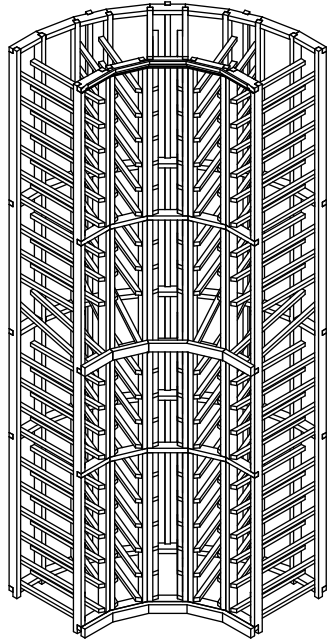


ELITE KIT RACK ASSEMBLY INSTRUCTION

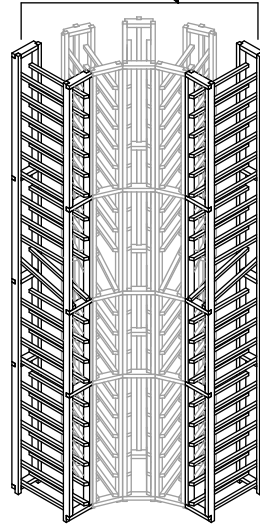
Thank you for purchasing Elite Kit Rack by Genuwine Cellars. The following instructions will help you assemble the 750ml TASTING DISPLAY. Assemble will be broken down into three sections.

Please study the instructions carefully prior to starting the assembly.

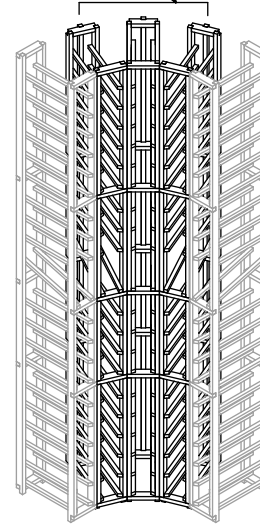
750ml CURVED CORNER Section 3 Complete



Section 1 Left & Right

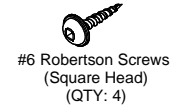
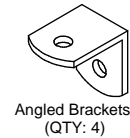
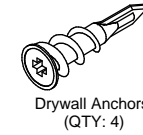


Section 2 Middles



HARDWARE

The following hardware is included in all kits:
(QUANTITY WILL VARY, DEPENDING ON KIT.)

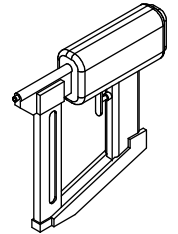
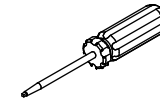


TOOLS REQUIRED

The following tools are required (NOT INCLUDED):

IMPORTANT!

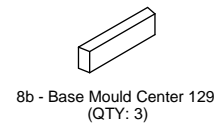
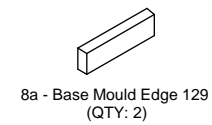
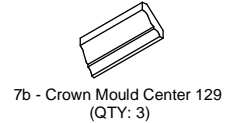
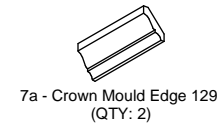
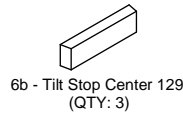
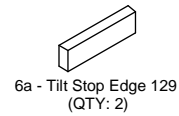
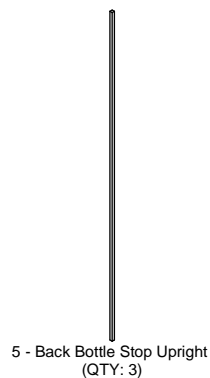
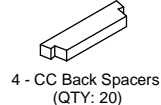
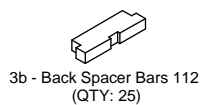
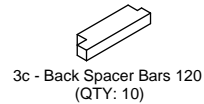
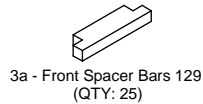
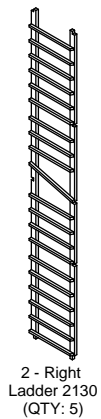
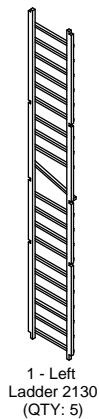
Always follow the manufacturer's instructions on how to use the nail gun, to prevent injury. Genuwine Cellars in not liable for any injury incurred while assembling the kit.



**We Recommend A
21 Gauge Nail Gun**
(Use 21 gauge brand nails,
with appropriate air compressor
or electric nailer set to 80psi,
to prevent splitting)

COMPONENTS

The following components are included in the 750ml TASTING DISPLAY.

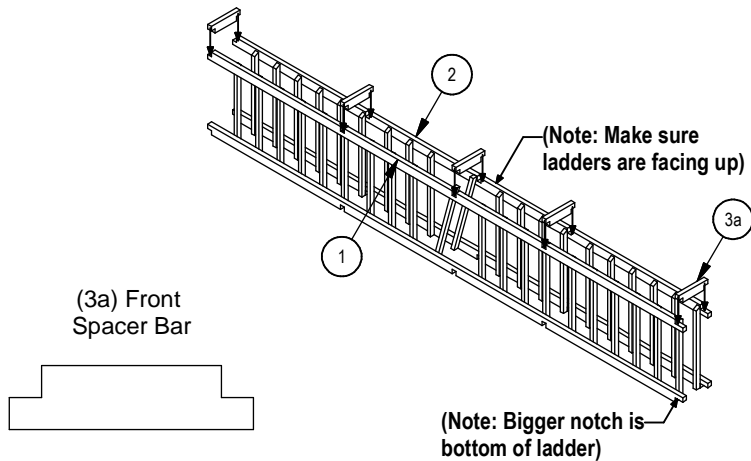


STEP 1

SECTION 1: Left & Right

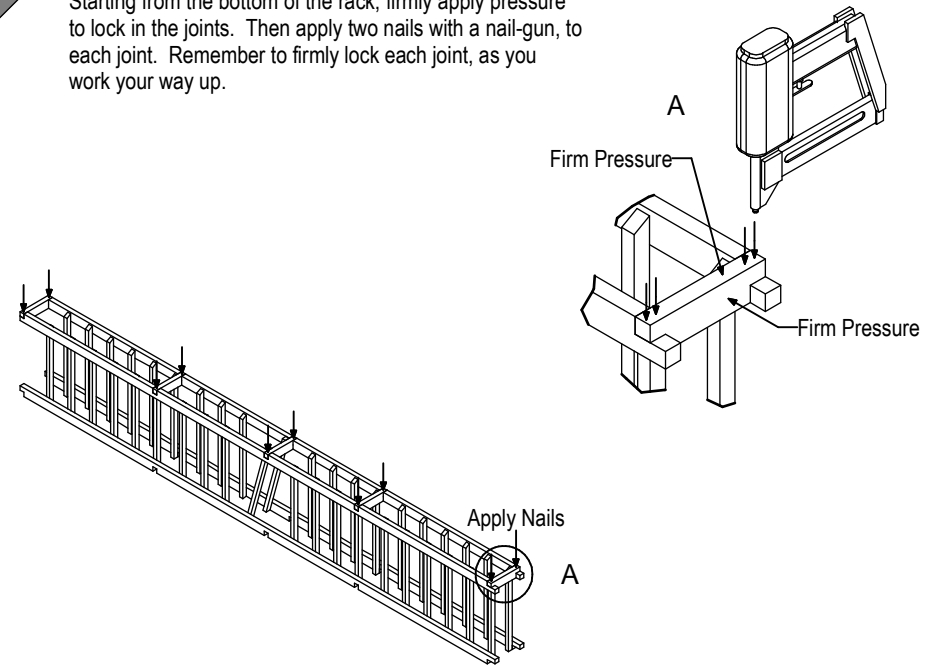
Assembling the left and right columns, SECTION 1. Instead of starting from the back, the front will be done first. Place the ladders so the back is on the floor, on flat, soft surface, so not to damage the racks. Space the ladders accordingly. Place the front spacer bars (3a) according to the ladder notches.

(Note: Ensure proper placement of ladders, and bottoms are all in same direction.)



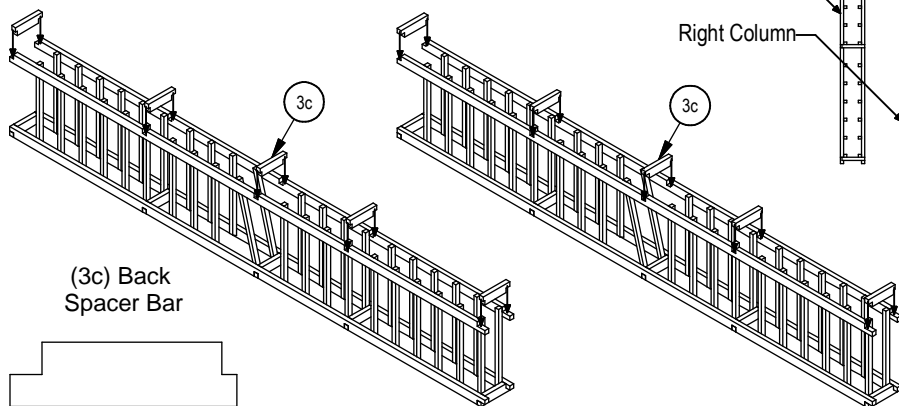
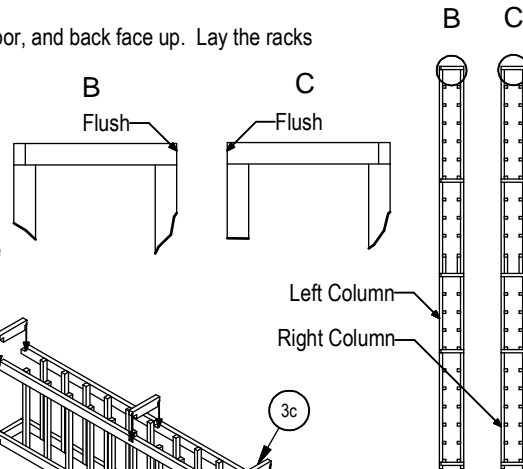
STEP 2

Starting from the bottom of the rack, firmly apply pressure to lock in the joints. Then apply two nails with a nail-gun, to each joint. Remember to firmly lock each joint, as you work your way up.



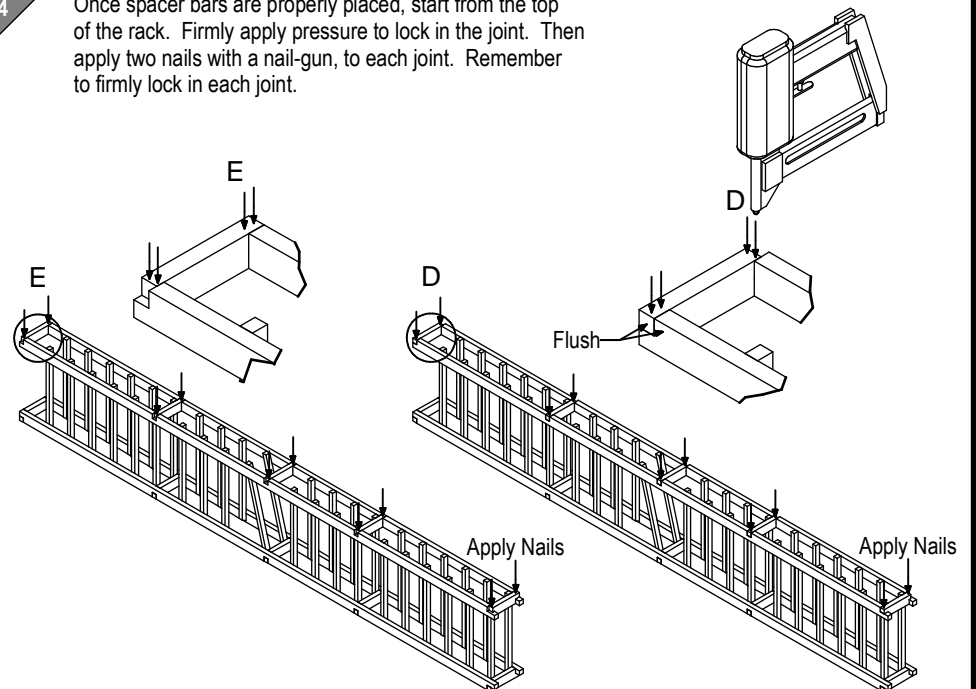
STEP 3

Turn the racks over. Front facing the floor, and back face up. Lay the racks side-by-side. For the left and right columns, back spacer bars (3c) have to be placed in specific directions. For the left column, make sure the shorter spacer bar notch is on the left, and the longer notch is flush to the right. For the right column, make sure the shorter spacer bar notch is on the right, and the longer notch is flush to the left.



STEP 4

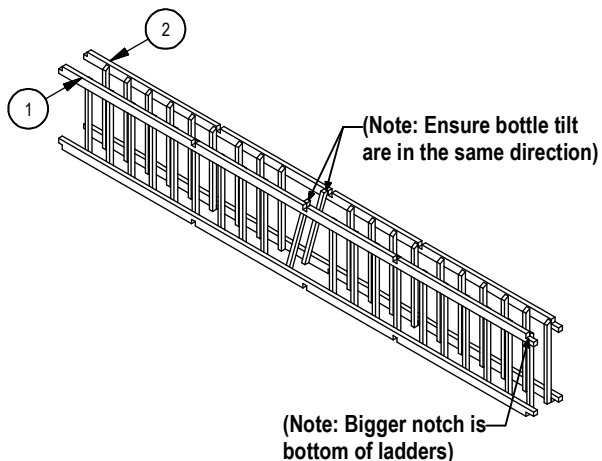
Once spacer bars are properly placed, start from the top of the rack. Firmly apply pressure to lock in the joint. Then apply two nails with a nail-gun, to each joint. Remember to firmly lock in each joint.



STEP
5

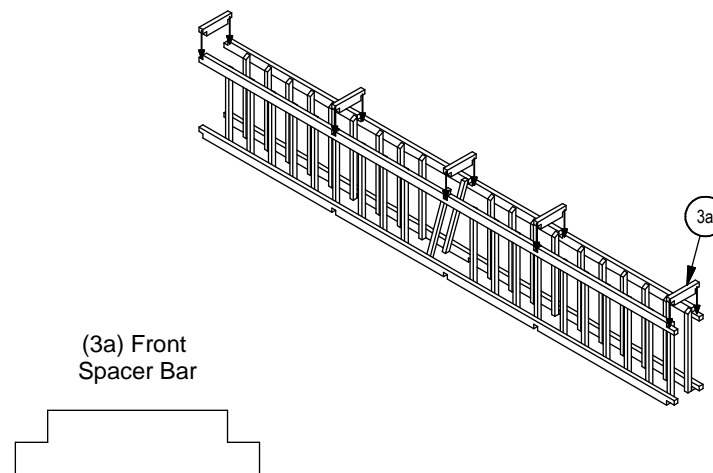
SECTION 2: Middles

SECTION 2, three individual columns, these will be the middle columns. Place the ladders so the front is facing up, on flat, soft surface, so not to damage back of racks. Space the ladders accordingly.
(Note: Ensure proper placement of ladders, and bottoms are all in same direction.)



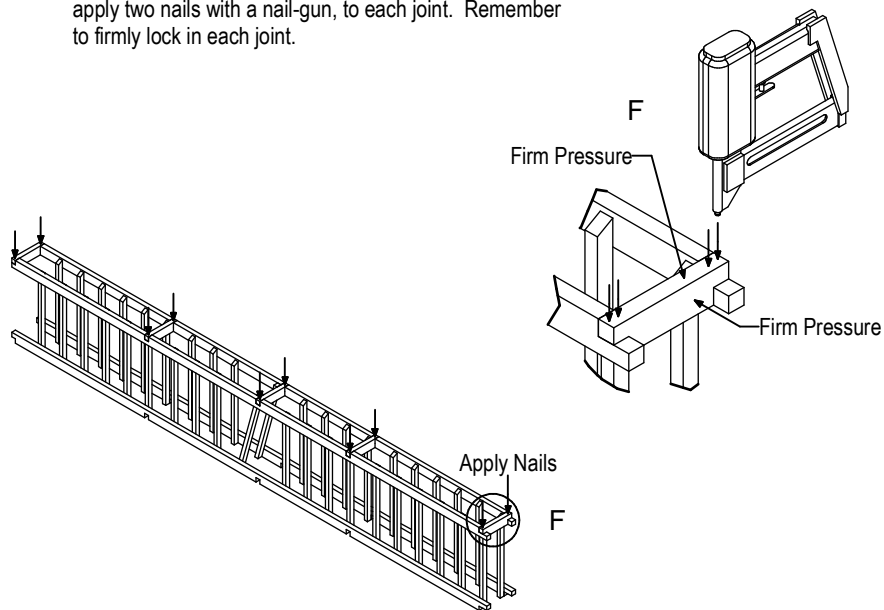
STEP
6

From the bottom and working your way up, place the front spacer bars (3a) according to the ladder notches. Make sure to carefully interlock the spacer bars to the ladders.



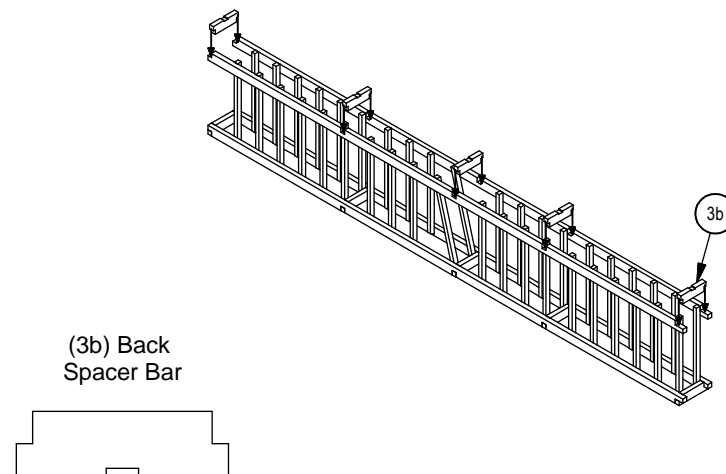
STEP
7

Once spacer bars are properly placed. Start from the bottom of the rack. Firmly apply pressure to lock in the joint. Then apply two nails with a nail-gun, to each joint. Remember to firmly lock in each joint.



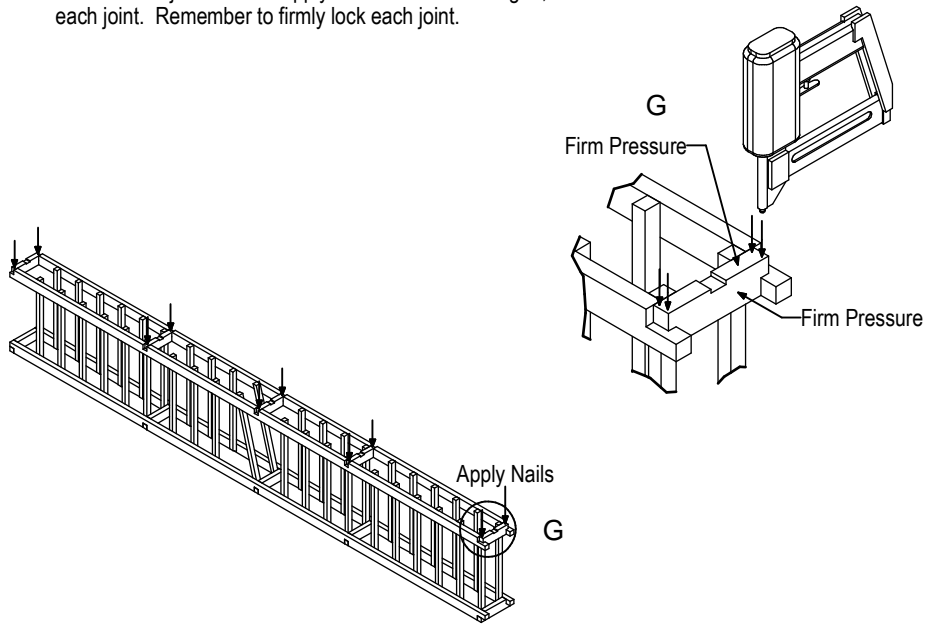
STEP
8

With the help of another person, turn the rack so the front is on the floor, and the back is facing up. Starting from bottom and work your way up, place the back spacer bars (3b) according to the ladder notches. Make sure to carefully interlock the spacer bars to the ladders.



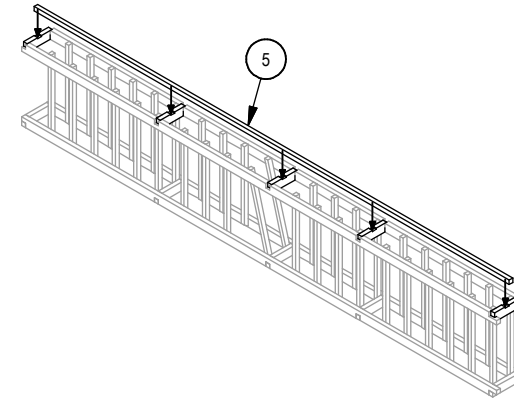
STEP 9

From the front and bottom of the rack, firmly apply pressure to lock in the joints. Then apply two nails with a nail-gun, to each joint. Remember to firmly lock each joint.



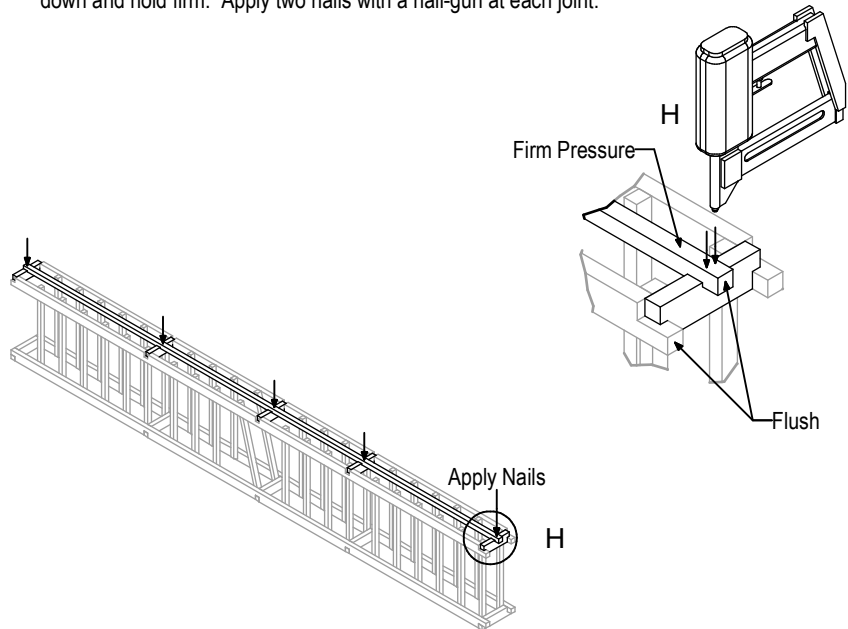
STEP 10

While the three middle columns are still laid down, apply the back bottle stop upright (5). Place the back bottle stop upright into the back spacer bar notches as shown.



STEP 11

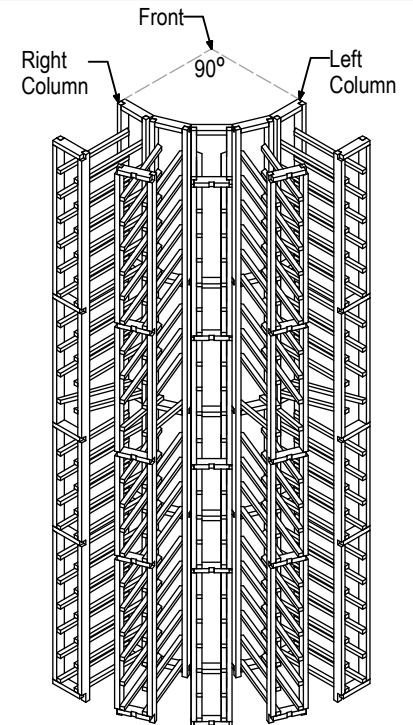
Flush the back bottle stop upright to the bottom of the rack. Push down and hold firm. Apply two nails with a nail-gun at each joint.



STEP 12

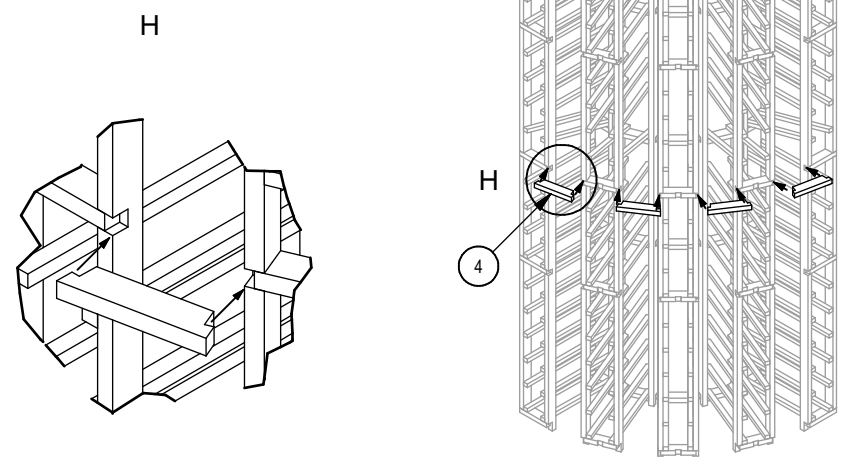
SECTION 3: Complete

Stand the racks up. Make sure bottoms are on the floor, left column on the left, right column on the right, and left-over columns are in the middle. Make sure the left and right column form a 90 degree, as shown. Place the front edge together, and space the back evenly. (Note: Ensure all angle bottle displays are facing front)



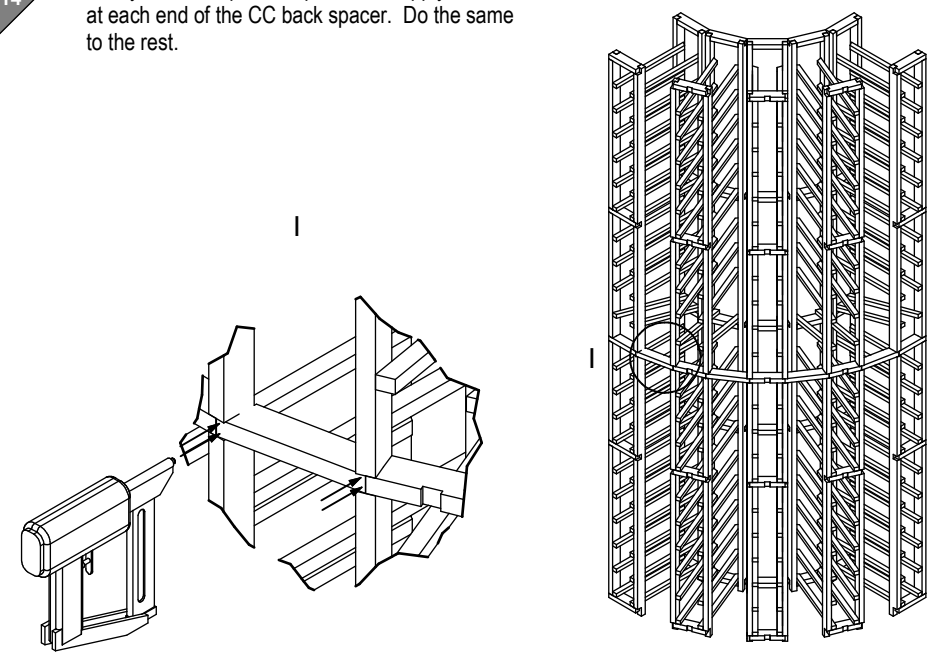
STEP
13

Starting at the middle height, place the CC back spacers (4) between the columns as shown.



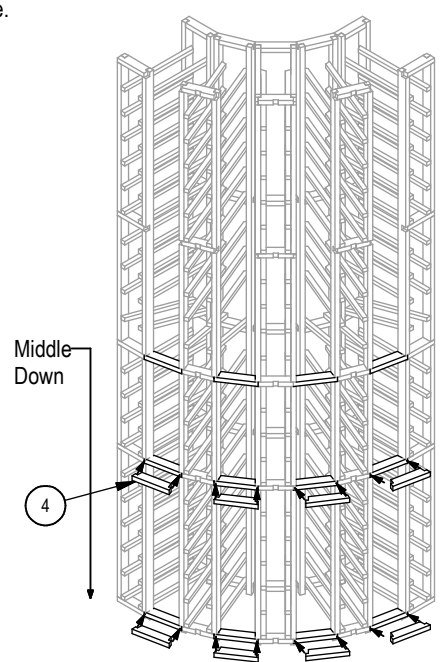
STEP
14

Firmly hold the spacer in place, and apply two nails at each end of the CC back spacer. Do the same to the rest.



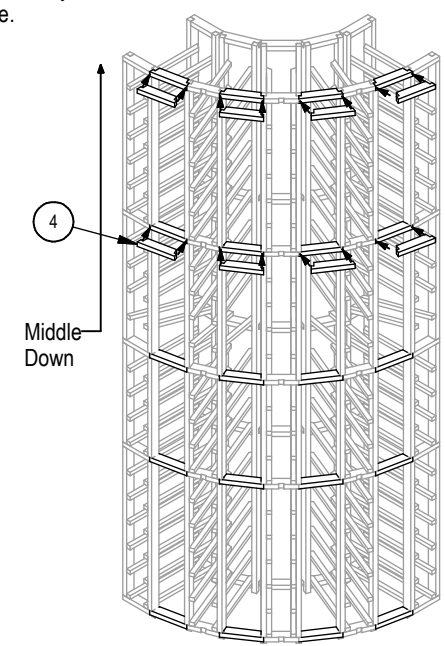
STEP
15

Once the middle height spacers are done, work your way down the racks, one level at a time.



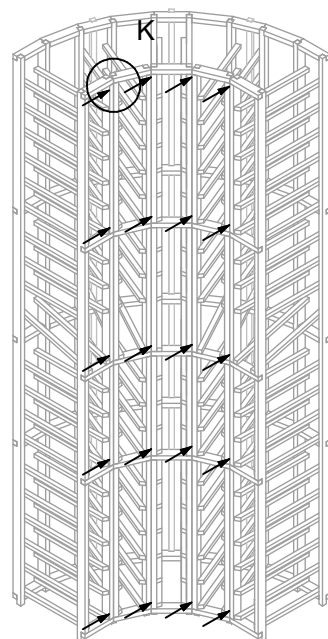
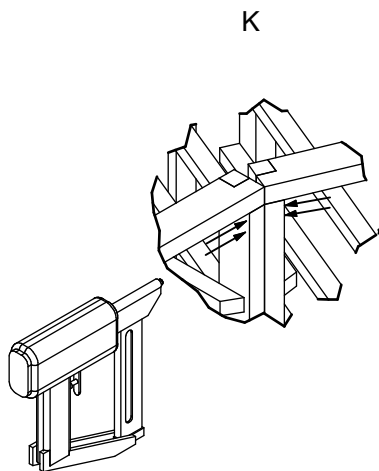
STEP
16

When the lower portion is complete, work your way up the racks from center, one level at a time.



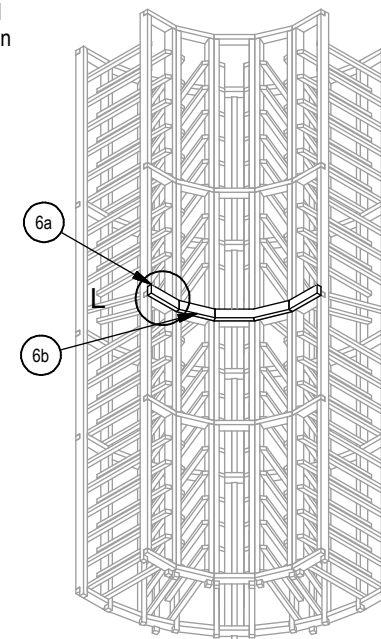
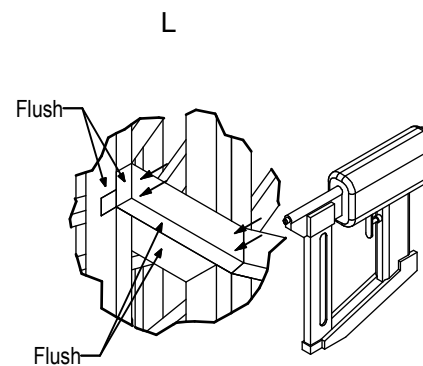
STEP
17

Nailing the front edge joints. Starting from the left edge joint, align the edges, hold firmly and apply two nails on each side of the racks, as shown. Nail as close as you can to the spacer bar. Continue down the rack, apply nails at each spacer bar level.



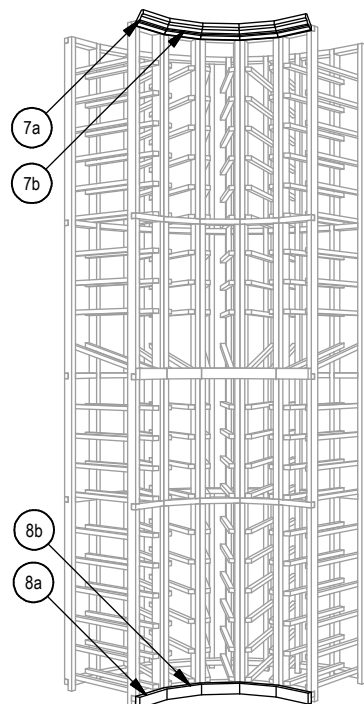
STEP
18

Applying tilt stop. Start from left side of racking, place the Tilt Stop Edge as show. Flush to the side and bottom. Hold firmly in place and apply two nails on each edge. Apply the same way for the rest of tilt stops.



STEP
19

Optional, finish the curved corner rack by applying the base and crown mould.

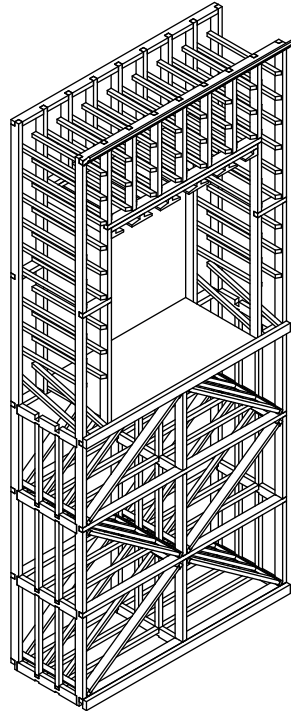


ELITE KIT RACK ASSEMBLY INSTRUCTION

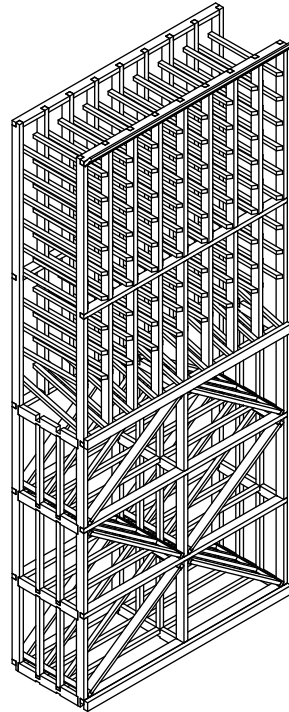
Thank you for purchasing Elite Kit Rack by Genuine Cellars. The following instructions will help you assemble the 750ml TASTING DISPLAY DIAMOND BINS. The same procedure can be applied to the following kits shown.

Please study the instructions carefully prior to starting the assembly.

750ml TASTING DISPLAY DIAMOND BINS

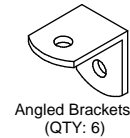
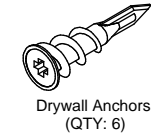


750ml 8 COLUMN DIAMOND BINS



HARDWARE

The following hardware is included in all kits:
(QUANTITY WILL VARY, DEPENDING ON KIT.)

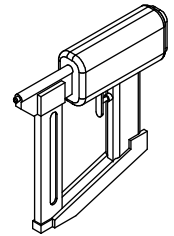
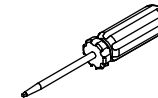


TOOLS REQUIRED

The following tools are required (NOT INCLUDED):

IMPORTANT!

Always follow the manufacturer's instructions on how to use the nail gun, to prevent injury. Genuine Cellars is not liable for any injury incurred while assembling the kit.



We Recommend A 21 Gauge Nail Gun
(Use 21 gauge brand nails, with appropriate air compressor or electric nailer set to 80psi, to prevent splitting)

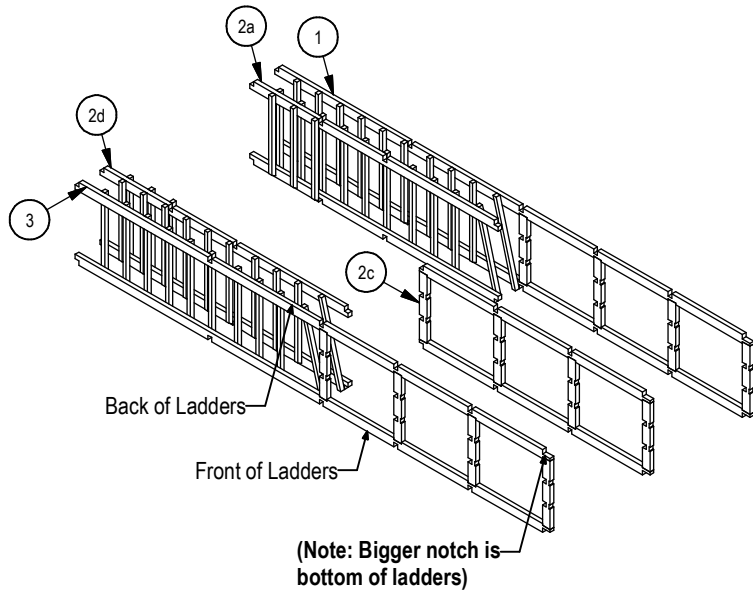
COMPONENTS

The following components are included in the 750ml TASTING DISPLAY.

1 - Left Ladder 2130 (QTY: 1)	2a - Middle Ladder 1113 (QTY: 1)	2b - Middle Ladder 325 (QTY: 5)	2c - Middle Ladder 1034 (QTY: 1)	2d - Middle Ladder 1113 (QTY: 1)	3 - Right Ladder 2130 (QTY: 1)	4a - Front Spacer Bars 913 (QTY: 1)	4b - Back Spacer Bars 913 (QTY: 1)	4c - Front Spacer Bars 689 (QTY: 1)	5a - Front Spacer Bars 689 (QTY: 1)	5b - Back Spacer Bars 689 (QTY: 1)	6a - Front Spacer Bars 913 (QTY: 1)	6b - Back Spacer Bars 913 (QTY: 1)	7a - Front Spacer Bars 913 (QTY: 3)	7b - Back Spacer Bars 913 (QTY: 3)	8a - Front Spacer Bars 129 (QTY: 2)	8b - Back Spacer Bars 129 (QTY: 2)	9 - Tilt Stop 913 (QTY: 1)	10 - BIN Block 913 (QTY: 6)	11 - BIN Upright 310 (QTY: 18)	12 - Counter Top (QTY: 1)	13 - Sternware Display (QTY: 1)	14 - BIN Dividers (QTY: 6)

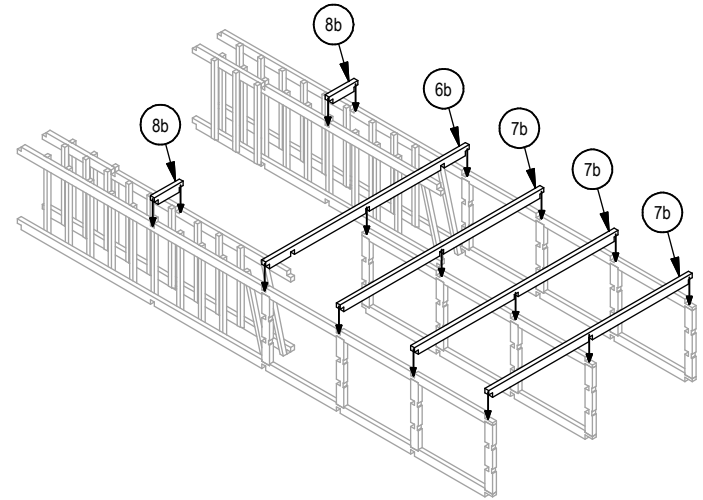
STEP 1

Starting from the back of the racks. Place the front of ladders on flat, soft surface, so not to damage front of racks. Space the ladders accordingly. **(Note: Ensure proper placement of ladders, and bottoms are all in same direction as shown.)**



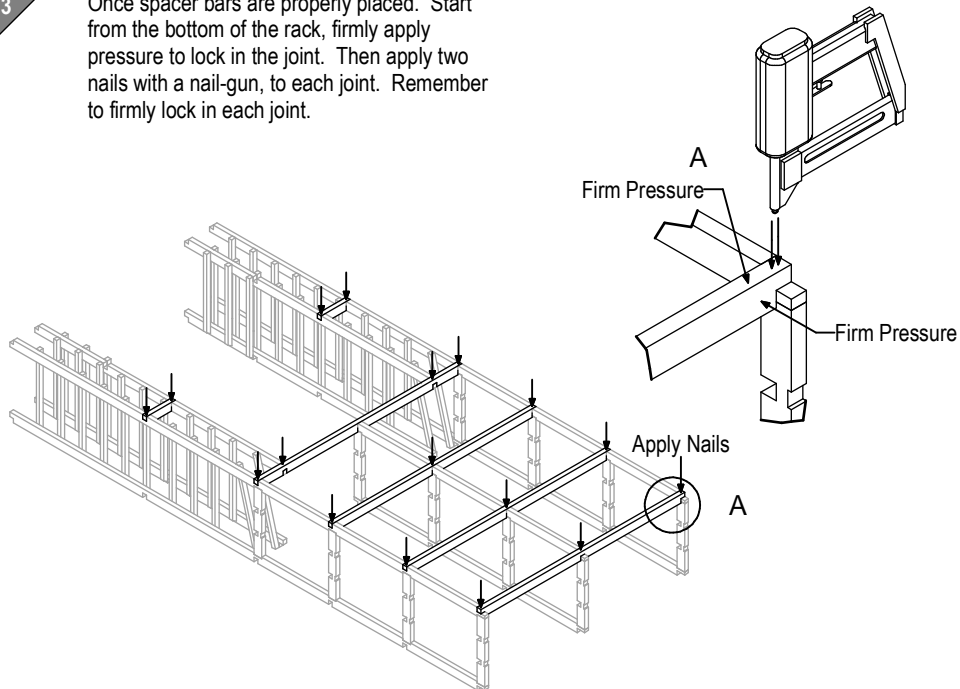
STEP 2

From the bottom and working your way up, place the back spacer bars (6b)(7b)(8b) according to the ladder notches. Make sure to carefully interlock the spacer bars to the ladders.



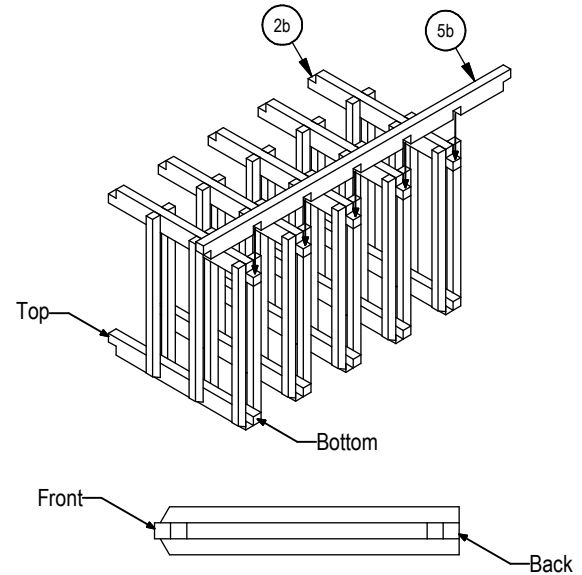
STEP 3

Once spacer bars are properly placed. Start from the bottom of the rack, firmly apply pressure to lock in the joint. Then apply two nails with a nail-gun, to each joint. Remember to firmly lock in each joint.



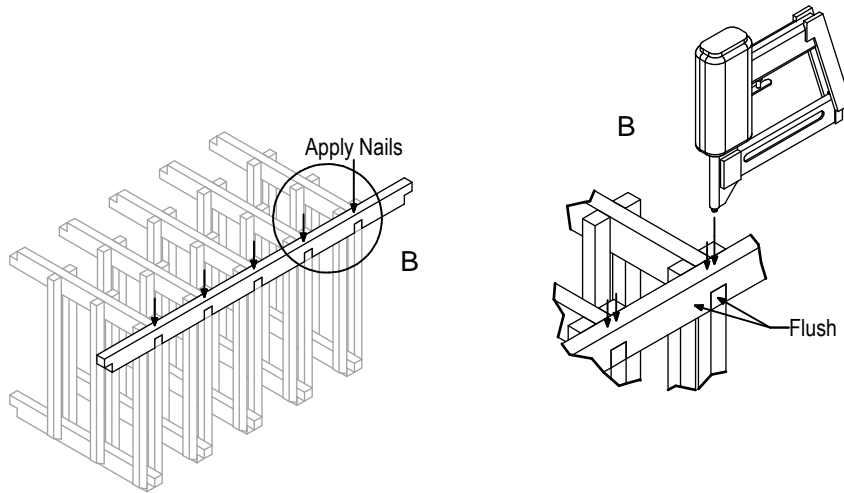
STEP 4

Place the middle ladders (2b) facing down on flat, soft surface, so not to damage front of racks. Space the ladders accordingly and put the back spacer bar (5b) into place. Make sure to center the spacer bar to the ladders. Spacer bar should extend past ladders at each end.



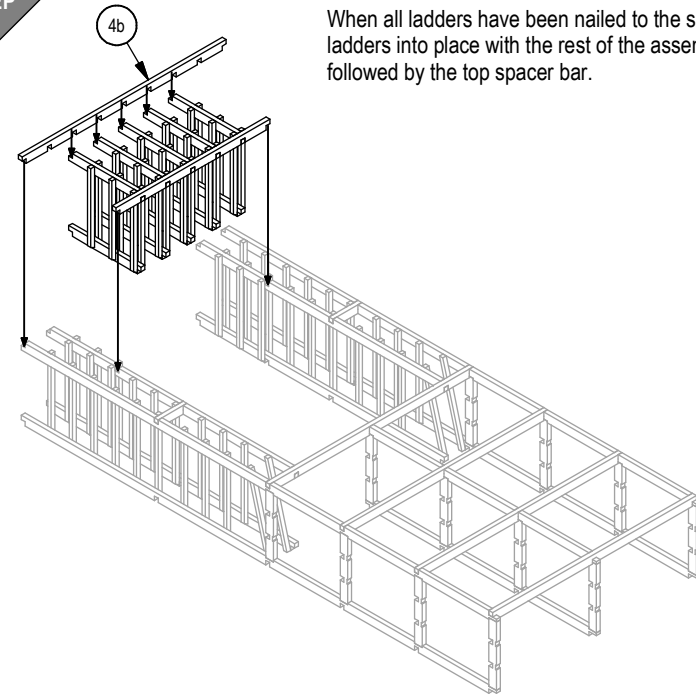
STEP
5

Flush the bottom of the spacer bar to the bottom of the ladders. Lock in place firm and apply two nails with a nail-gun to each joint.



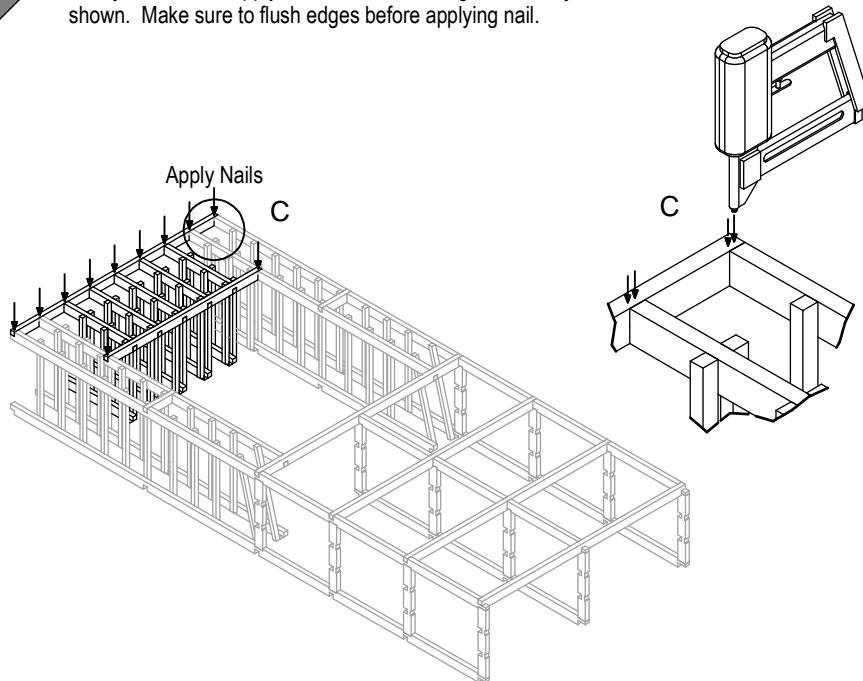
STEP
6

When all ladders have been nailed to the spacer bar, slide the ladders into place with the rest of the assembly as shown, followed by the top spacer bar.



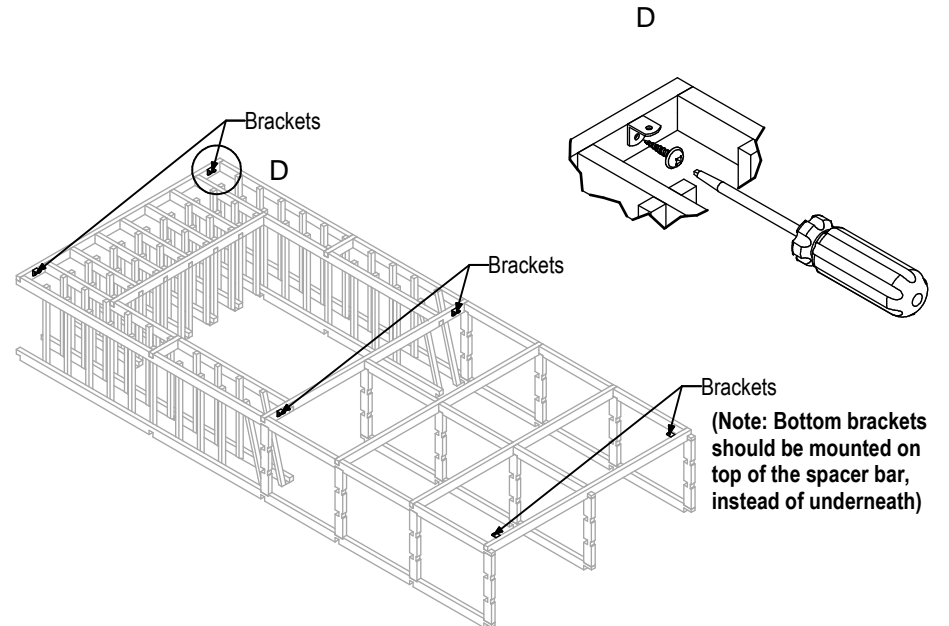
STEP
7

Hold joint firm and apply two nails with a nail-gun to each joint shown. Make sure to flush edges before applying nail.



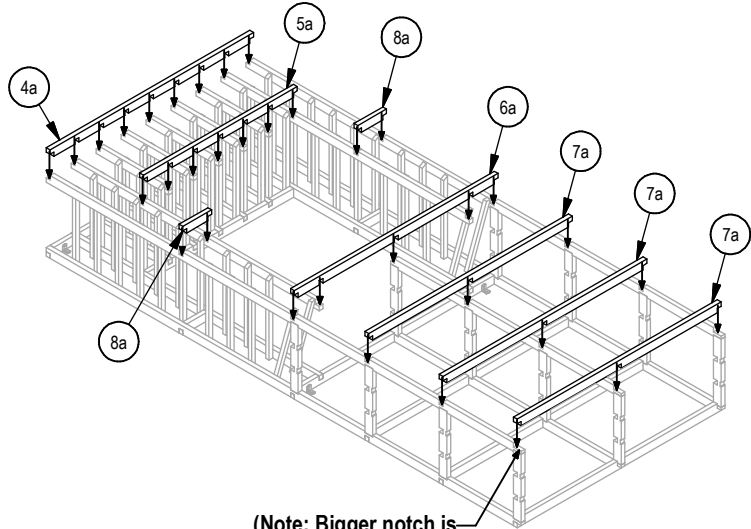
STEP
8

While backs are still facing up, screw the angled brackets, to the back spacer bars as shown. Top, middle, and bottom.



STEP 9

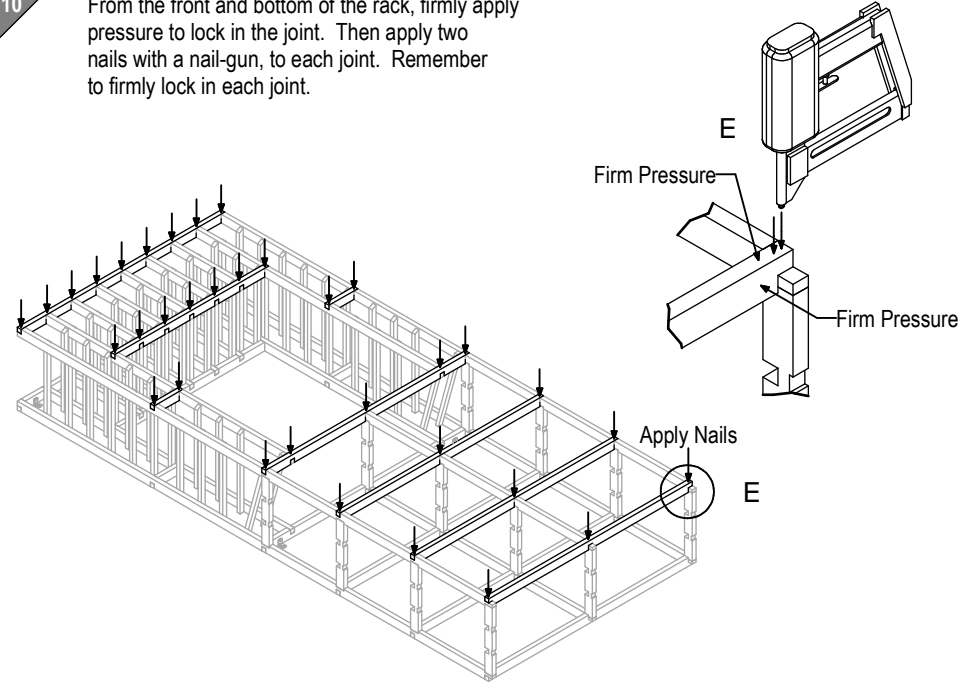
With the help of another person, turn the rack so the back is on the floor, and the front is facing up. Starting from bottom up, place the front spacer bars (4a)(5a)(6a)(7a)(8a) according to the ladder notches. Make sure to carefully interlock the spacer bars to the ladders.



(Note: Bigger notch is bottom of ladders)

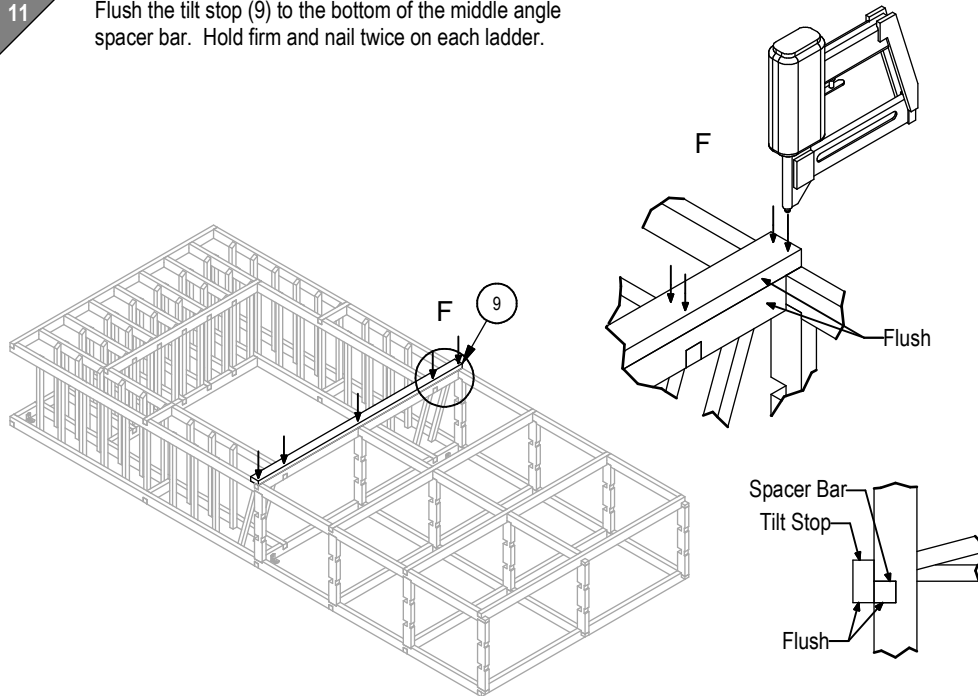
STEP 10

From the front and bottom of the rack, firmly apply pressure to lock in the joint. Then apply two nails with a nail-gun, to each joint. Remember to firmly lock in each joint.



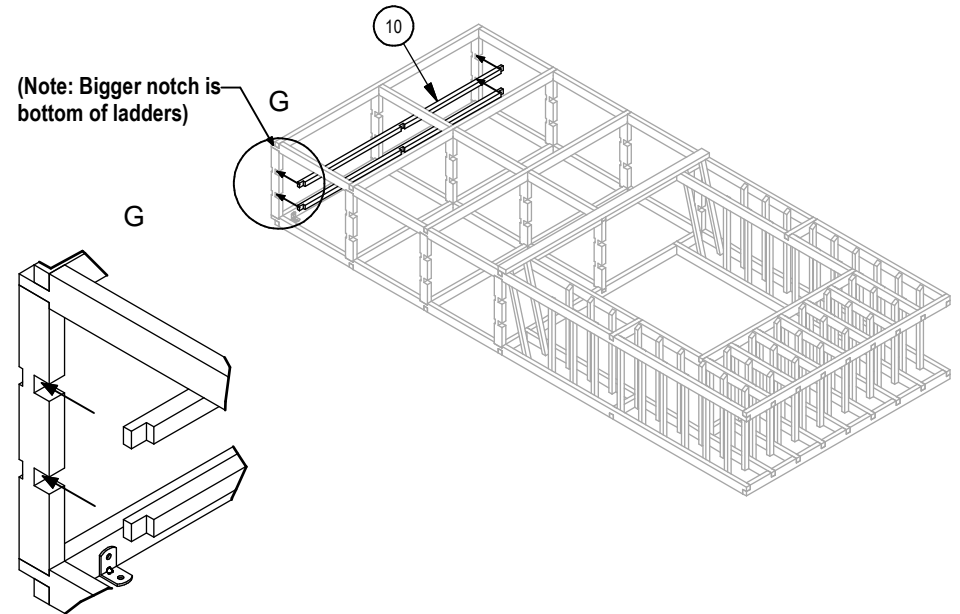
STEP 11

Flush the tilt stop (9) to the bottom of the middle angle spacer bar. Hold firm and nail twice on each ladder.



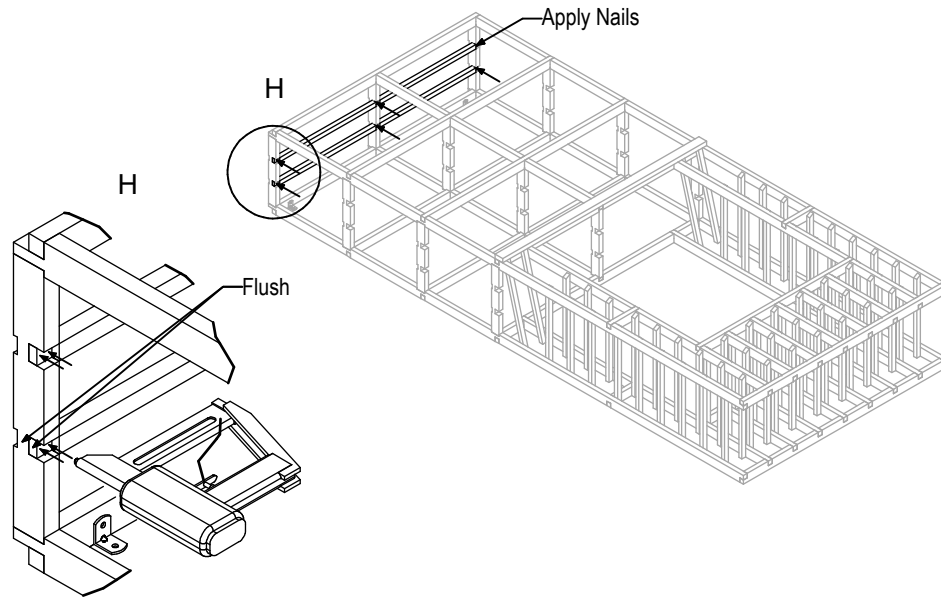
STEP 12

From the bottom of the bin, working with one row. Place two bin block (10) into the notches. Make sure the notches on the bin block is facing up as shown. (Note: Do not continue to the next row)



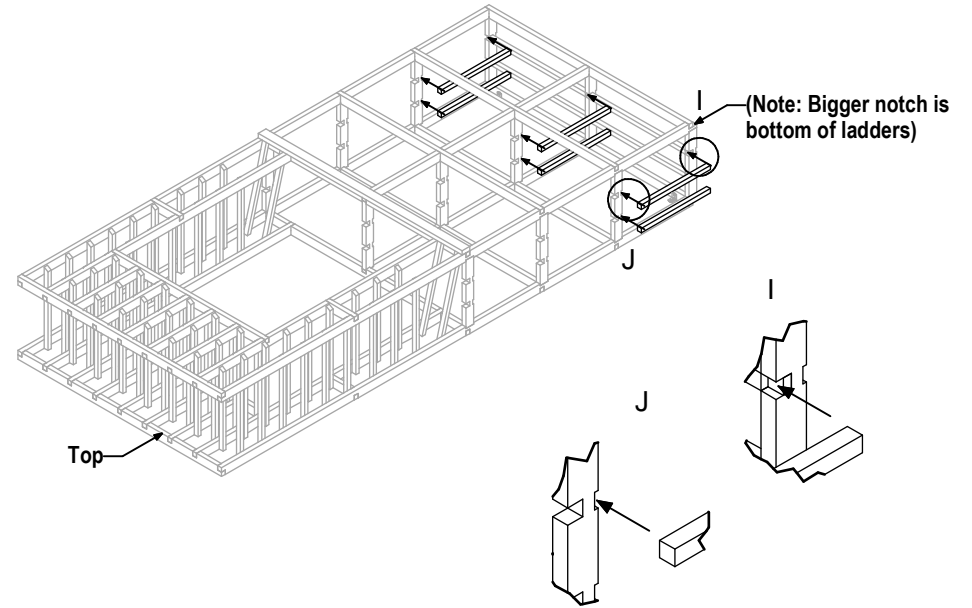
STEP
13

Flush the ends of the bin block to the outside of the ladders. Hold the joint tightly in place, and apply two nails as shown. Apply nails to the middle joints and the other end of the bin block.



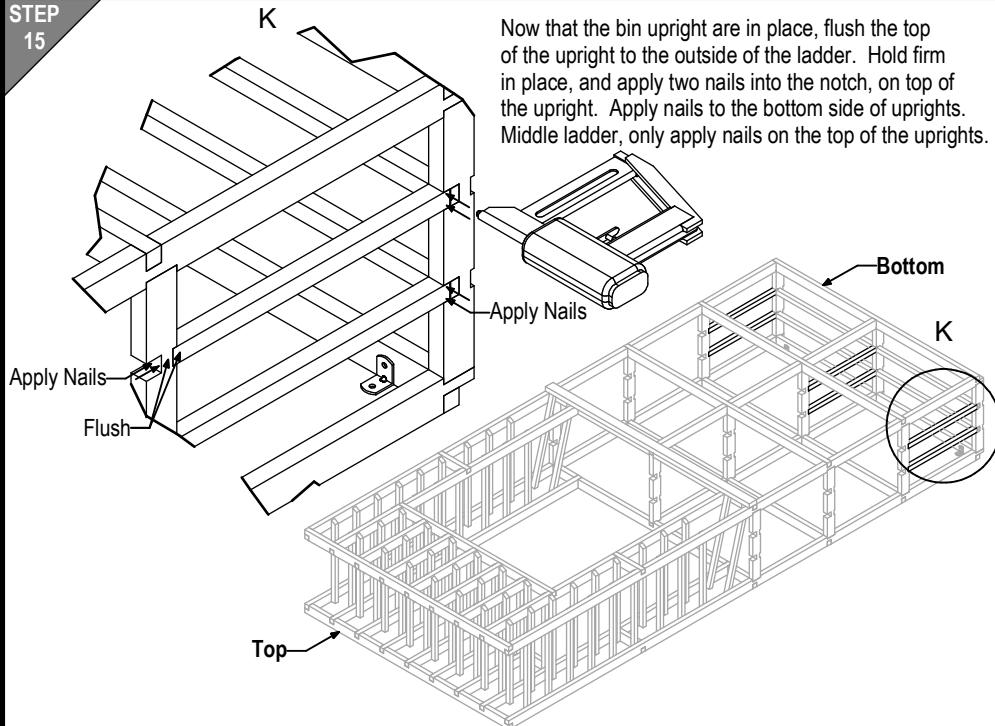
STEP
14

Once the first row bin blocks are done, slide the bin upright (11) into place, as shown. Again, work with the lower row first.



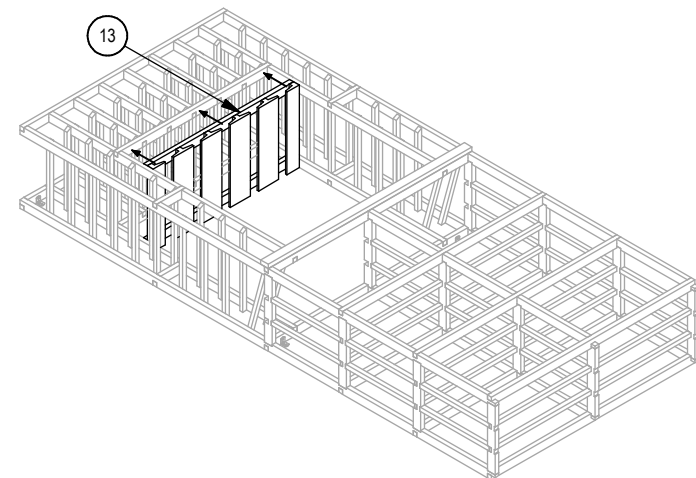
STEP
15

Now that the bin upright are in place, flush the top of the upright to the outside of the ladder. Hold firm in place, and apply two nails into the notch, on top of the upright. Apply nails to the bottom side of uprights. Middle ladder, only apply nails on the top of the uprights.



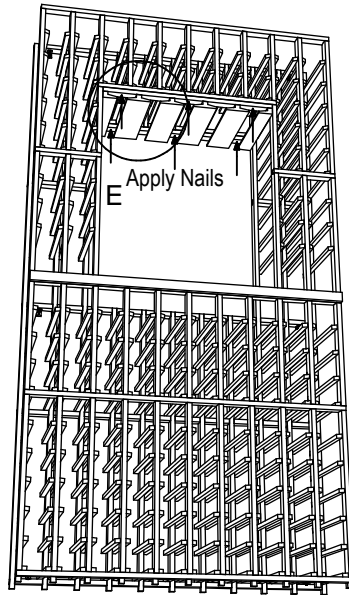
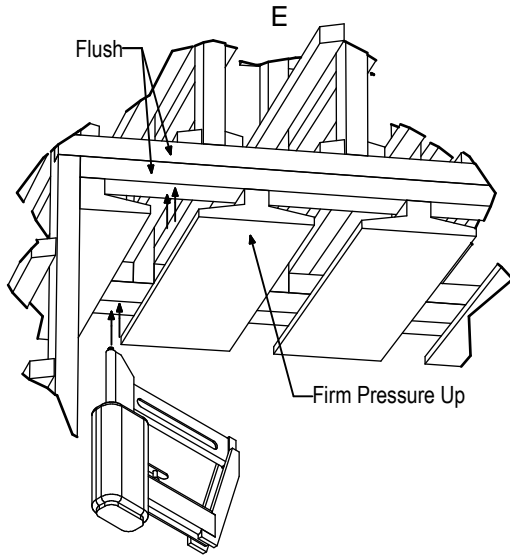
STEP
16

Complete the first row, and move to the next row. Make sure to assemble one row at a time. Bin blocks first, then the bin uprights are put into place. When everything is nailed together, the stemware (13) can be installed as shown.



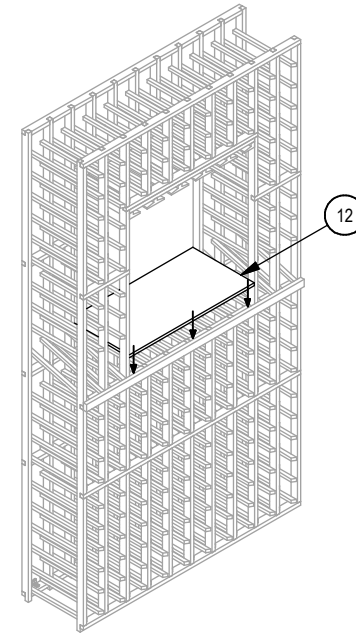
STEP
17

Flush the stemware to the front of the front spacer bar. With the help of another person, hold in place the stemware and nail from the bottom into the spacer bars. Far left side, far right side, and middle.



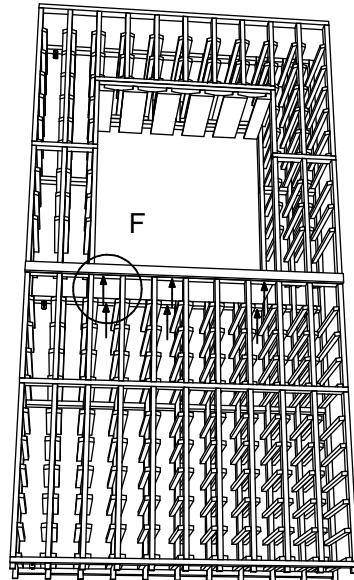
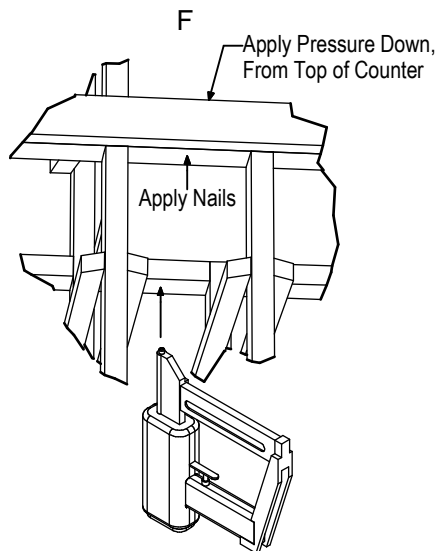
STEP
18

Stand the rack upright. Place the counter top (12) above the lower racks.



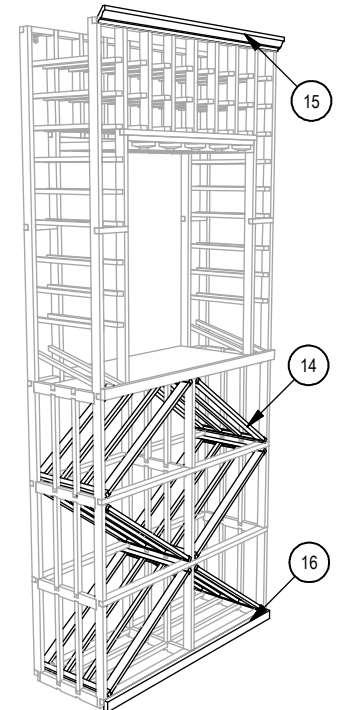
STEP
19

Applying the counter top, position edge of counter against tilt stop. Press down on counter, and nail spacer bar to counter from bottom side.



STEP
20

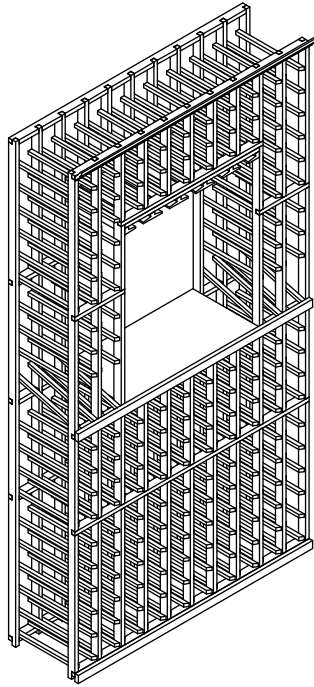
Complete the assembly, slide the dividers (14) into place. Optional, finish the display rack by applying the base and crown mould.



ELITE KIT RACK ASSEMBLY INSTRUCTION

Thank you for purchasing Elite Kit Rack by Genuine Cellars. The following instructions will help you assemble the 750ml TASTING DISPLAY.

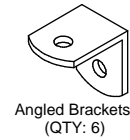
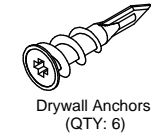
750ml TASTING DISPLAY



Please study the instructions carefully prior to starting the assembly.

HARDWARE

The following hardware is included in all kits:
(QUANTITY WILL VARY, DEPENDING ON KIT.)

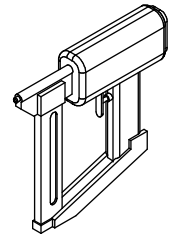
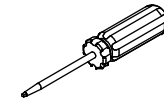


TOOLS REQUIRED

The following tools are required (NOT INCLUDED):

IMPORTANT!

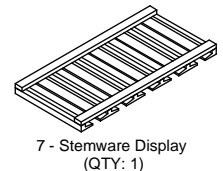
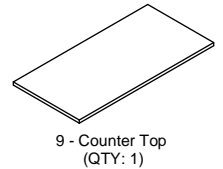
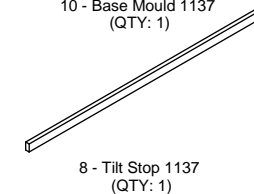
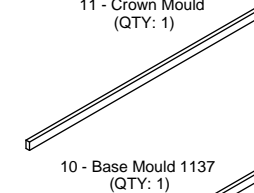
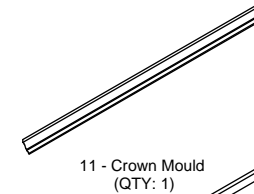
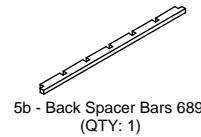
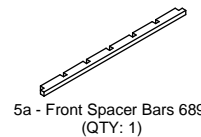
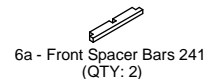
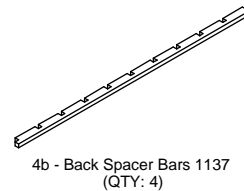
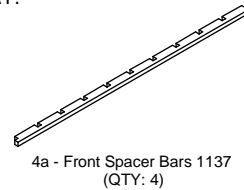
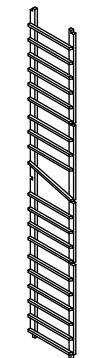
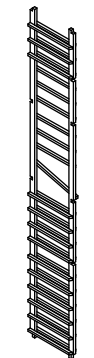
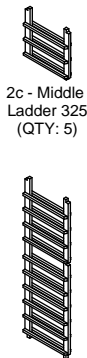
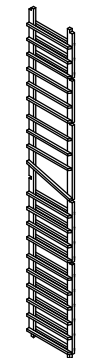
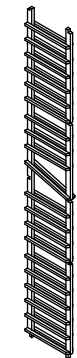
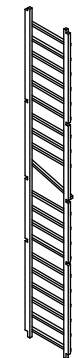
Always follow the manufacturer's instructions on how to use the nail gun, to prevent injury. Genuine Cellars is not liable for any injury incurred while assembling the kit.



We Recommend A 21 Gauge Nail Gun
(Use 21 gauge brand nails, with appropriate air compressor or electric nailer set to 80psi, to prevent splitting)

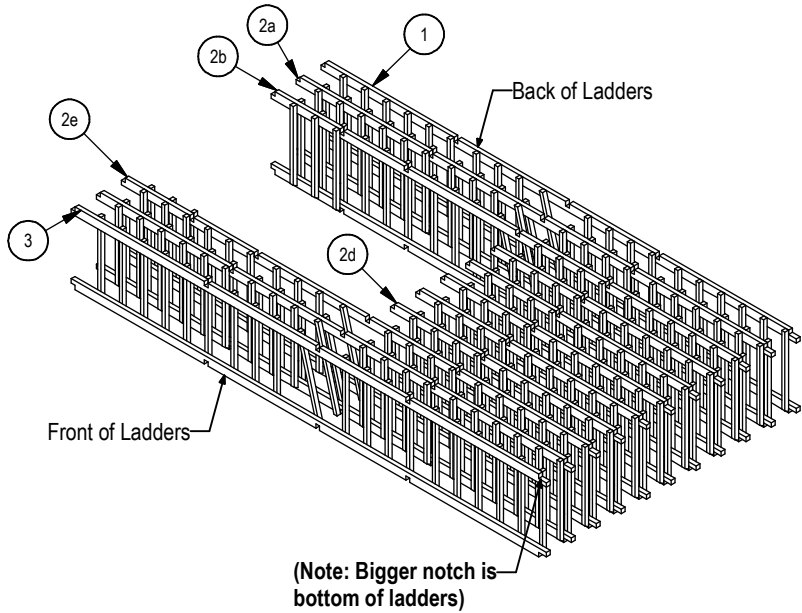
COMPONENTS

The following components are included in the 750ml TASTING DISPLAY.



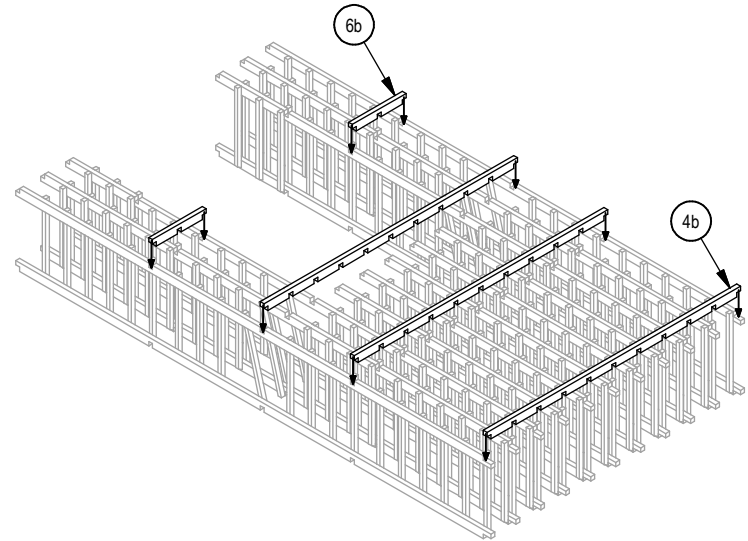
STEP 1

Starting from the back of the racks. Place the front of ladders on flat, soft surface, so not to damage front of racks. Space the ladders accordingly. **(Note: Ensure proper placement of ladders, and bottoms are all in same direction as shown.)**



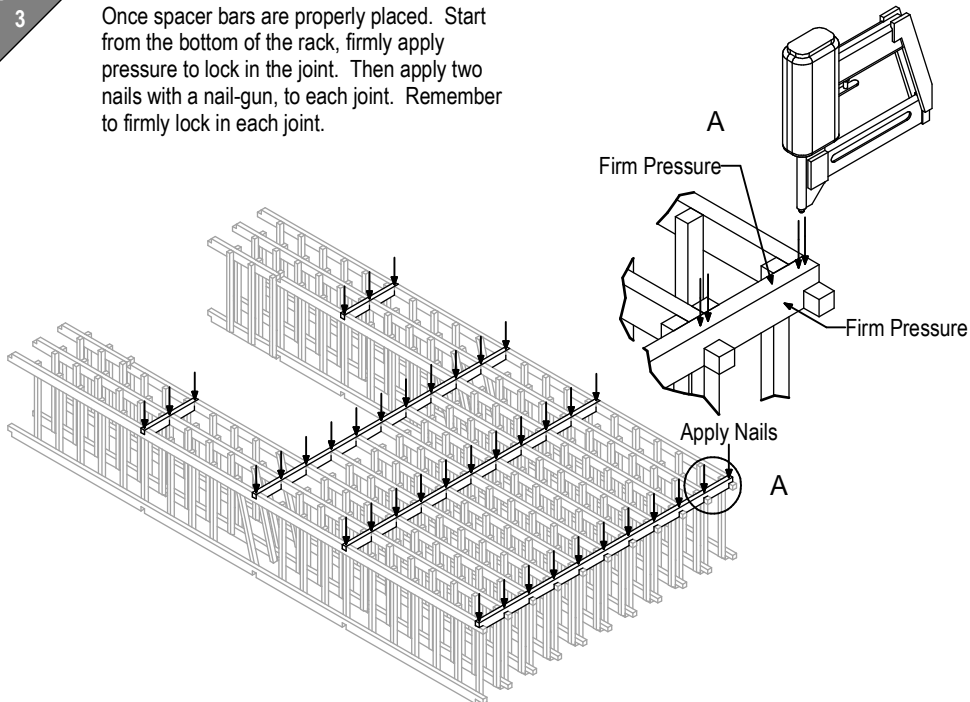
STEP 2

From the bottom and working your way up, place the back spacer bars (4b)(6b) according to the ladder notches. Make sure to carefully interlock the spacer bars to the ladders.



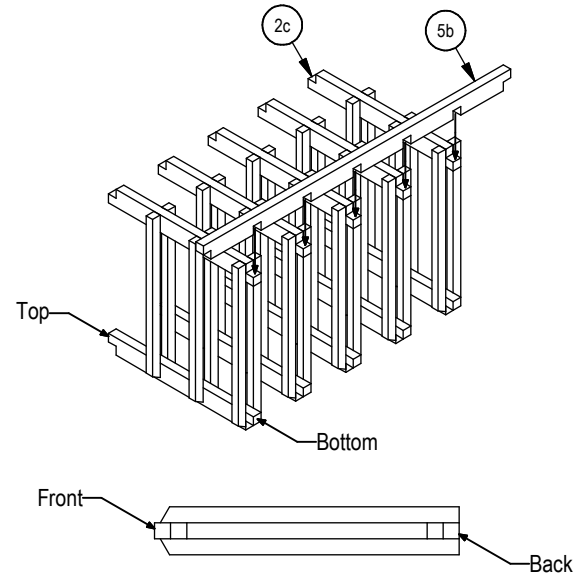
STEP 3

Once spacer bars are properly placed. Start from the bottom of the rack, firmly apply pressure to lock in the joint. Then apply two nails with a nail-gun, to each joint. Remember to firmly lock in each joint.



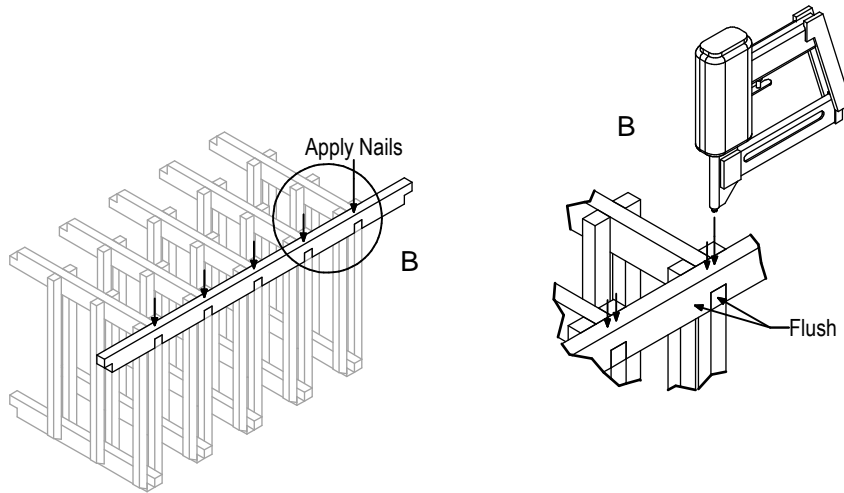
STEP 4

Place the middle ladders (2c) facing down on flat, soft surface, so not to damage front of racks. Space the ladders accordingly and put the back spacer bar (5b) into place. Make sure to center the spacer bar to the ladders. Spacer bar should extend past ladders at each end.



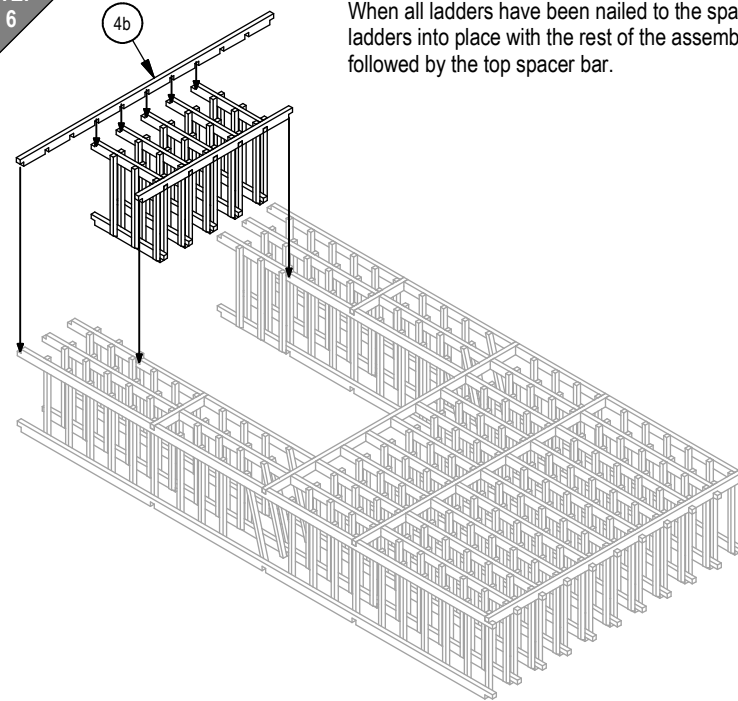
STEP 5

Flush the bottom of the spacer bar to the bottom of the ladders. Lock in place firm and apply two nails with a nail-gun to each joint.



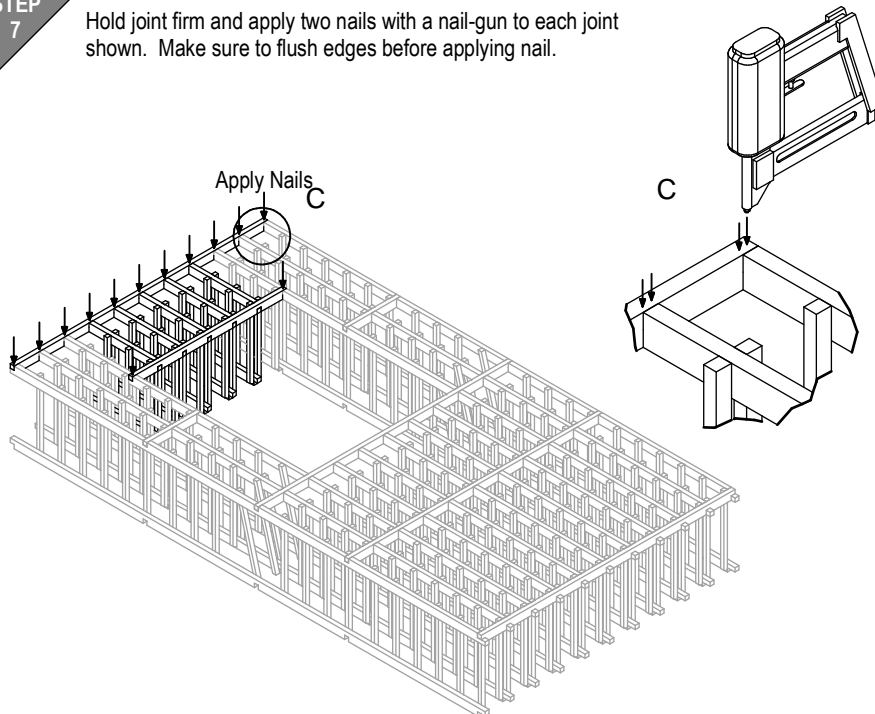
STEP 6

When all ladders have been nailed to the spacer bar, slide the ladders into place with the rest of the assembly as shown, followed by the top spacer bar.



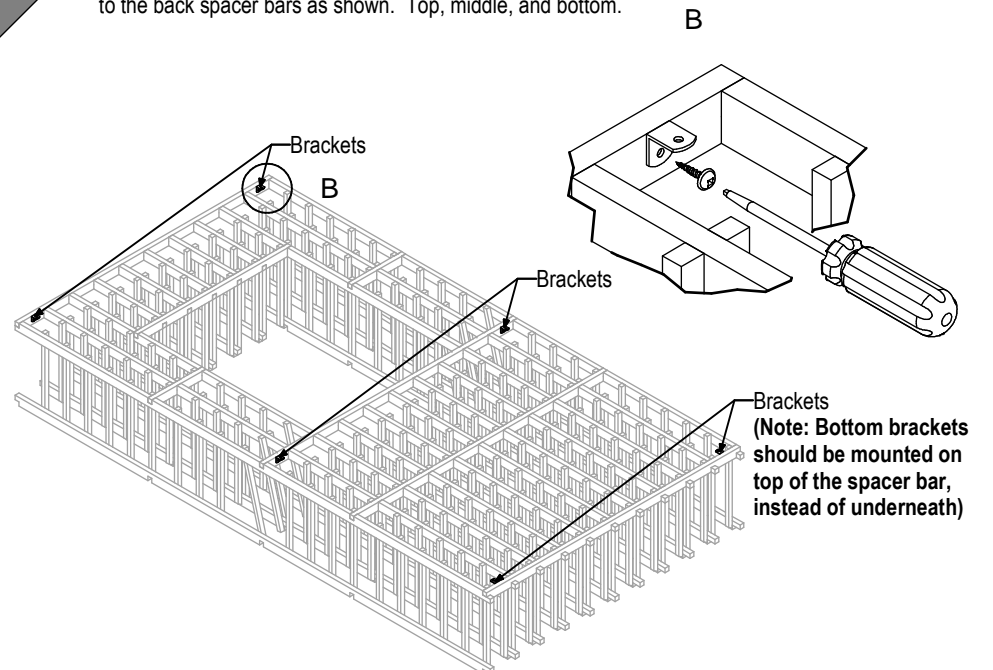
STEP 7

Hold joint firm and apply two nails with a nail-gun to each joint shown. Make sure to flush edges before applying nail.



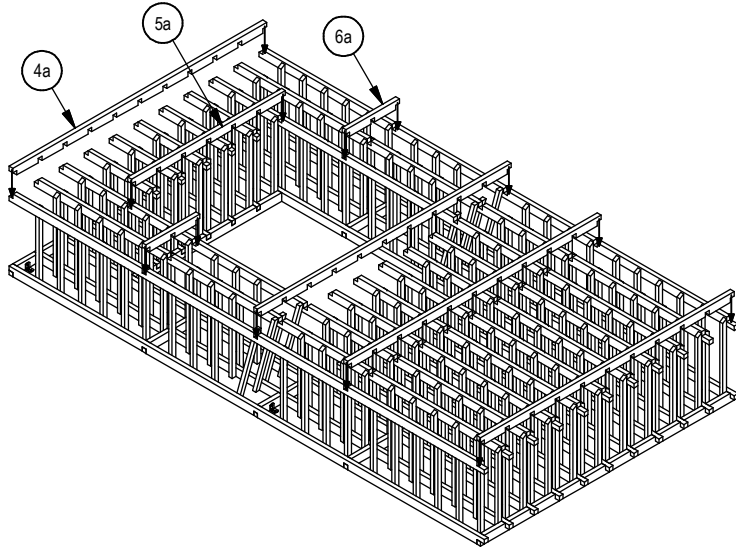
STEP 8

While backs are still facing up, screw the angled brackets, to the back spacer bars as shown. Top, middle, and bottom.



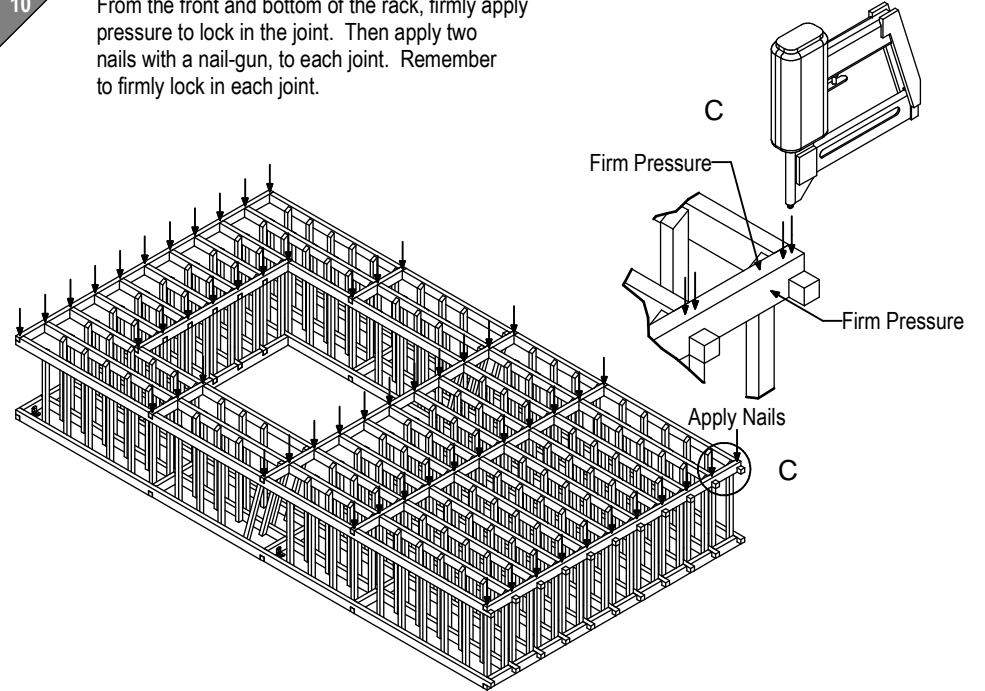
STEP
9

With the help of another person, turn the rack so the back is on the floor, and the front is facing up. Starting from bottom up, place the front spacer bars (4a)(5a)(6a) according to the ladder notches. Make sure to carefully interlock the spacer bars to the ladders.



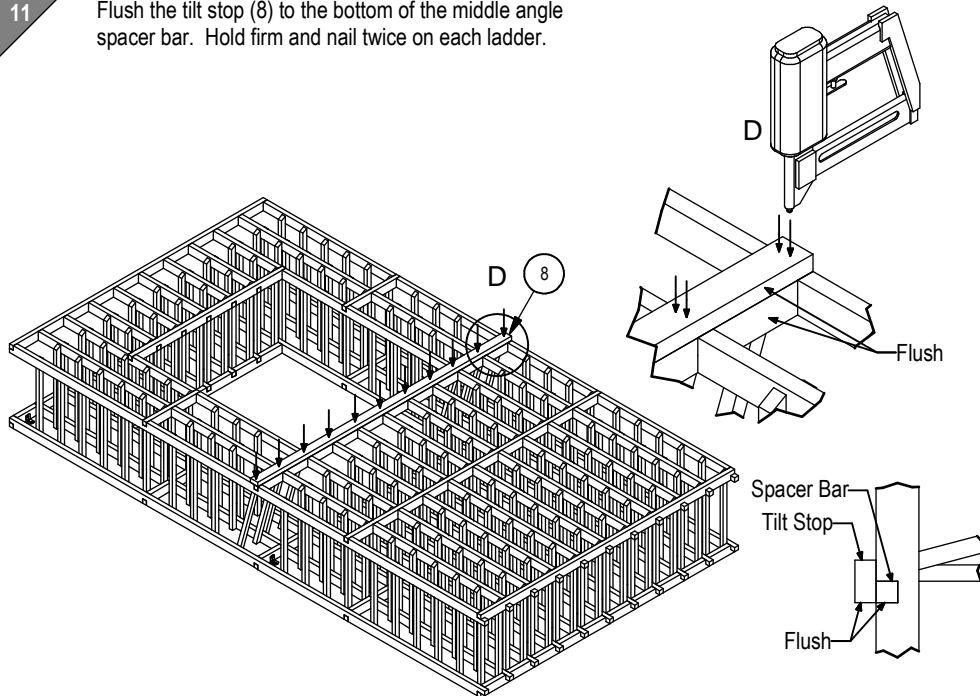
STEP
10

From the front and bottom of the rack, firmly apply pressure to lock in the joint. Then apply two nails with a nail-gun, to each joint. Remember to firmly lock in each joint.



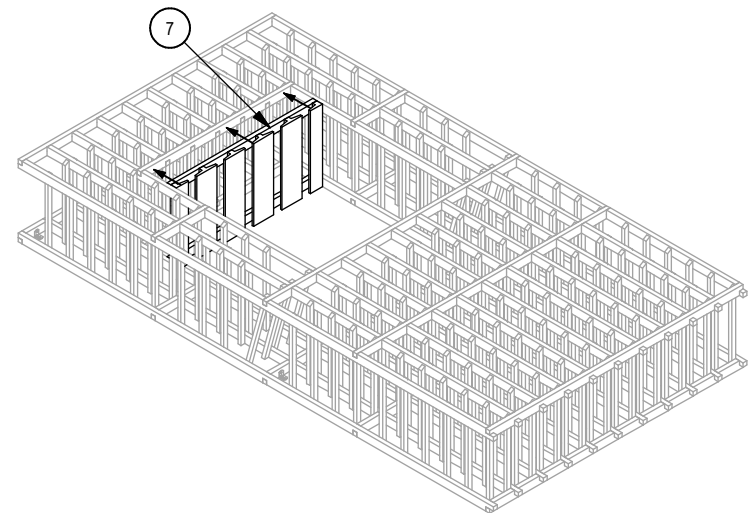
STEP
11

Flush the tilt stop (8) to the bottom of the middle angle spacer bar. Hold firm and nail twice on each ladder.



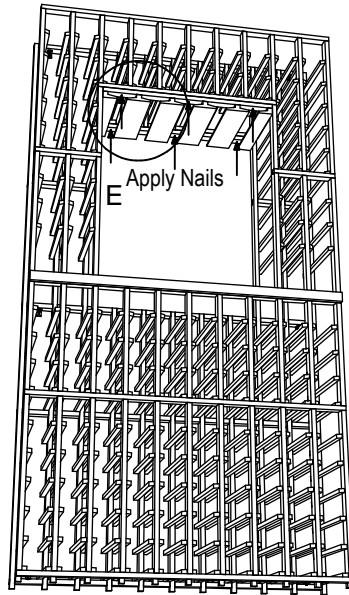
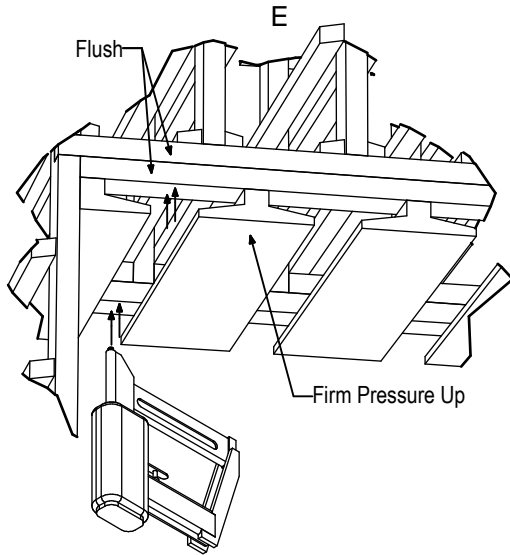
STEP
12

Place the stemware as shown.



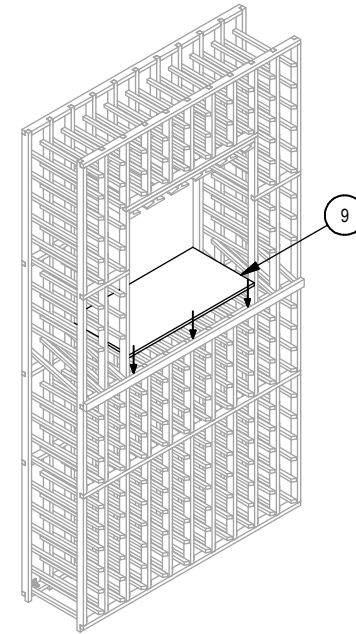
STEP
13

Flush the stemware to the front of the front spacer bar. With the help of another person, hold in place the stemware and nail from the bottom into the spacer bars. Far left side, far right side, and middle.



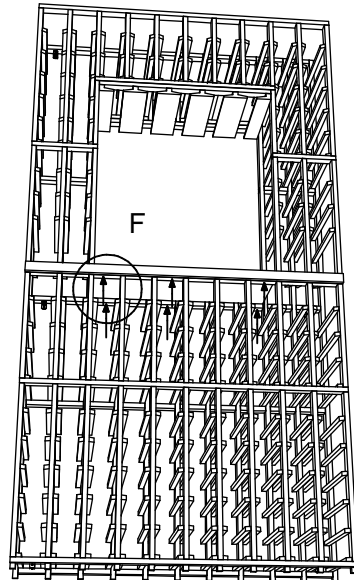
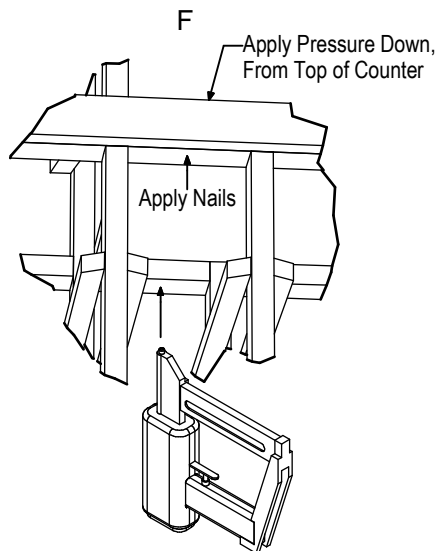
STEP
14

Stand the rack upright. Place the counter top (9) above the lower racks.



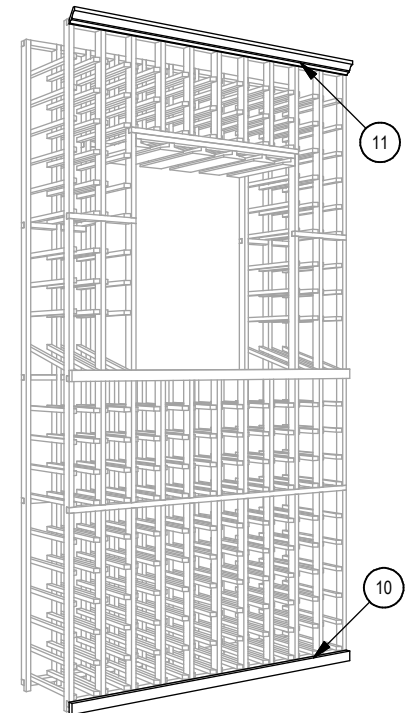
STEP
15

Applying the counter top, position edge of counter against tilt stop. Press down on counter, and nail spacer bar to counter from bottom side.



STEP
16

Optional, finish the display rack by applying the base and crown mould.

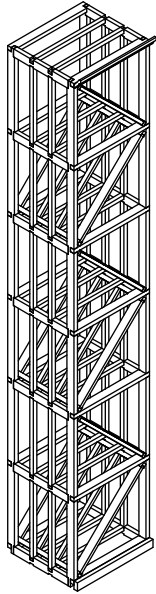


ELITE KIT RACK ASSEMBLY INSTRUCTION

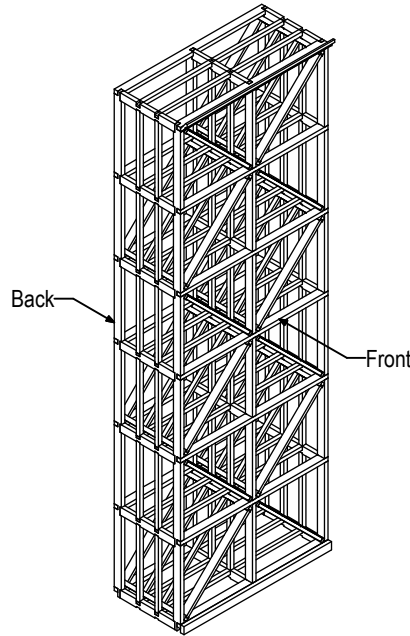
Thank you for purchasing Elite Kit Rack by Genuine Cellars. The following instructions will help you assemble the DOUBLE COLUMN DIAMOND BIN. The same procedure can be applied to the following kits shown.

Please study the instructions carefully prior to starting the assembly.

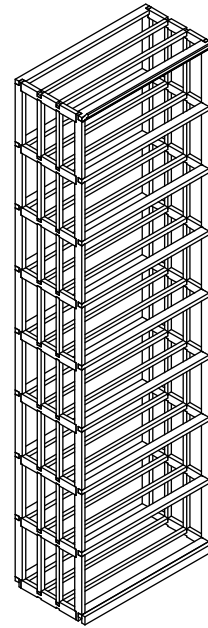
SINGLE COLUMN DIAMOND BIN



DOUBLE COLUMN DIAMOND BIN

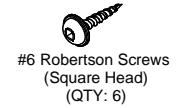
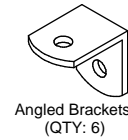
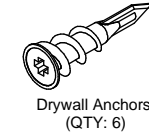


OPEN CASE STORAGE BIN



HARDWARE

The following hardware is included in all kits:
(QUANTITY WILL VARY, DEPENDING ON KIT.)

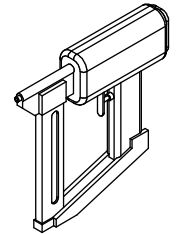
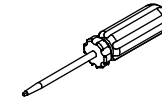


TOOLS REQUIRED

The following tools are required (NOT INCLUDED):

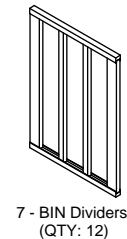
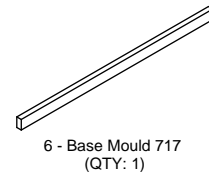
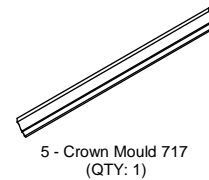
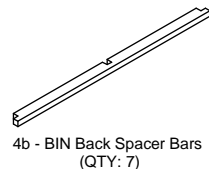
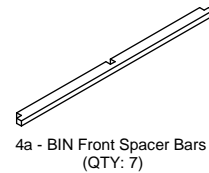
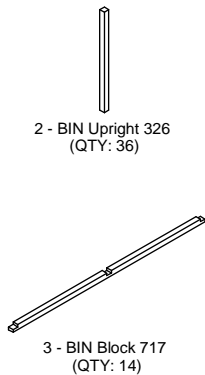
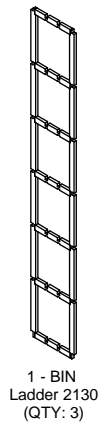
IMPORTANT!

Always follow the manufacturer's instructions on how to use the nail gun, to prevent injury. Genuine Cellars is not liable for any injury incurred while assembling the kit.



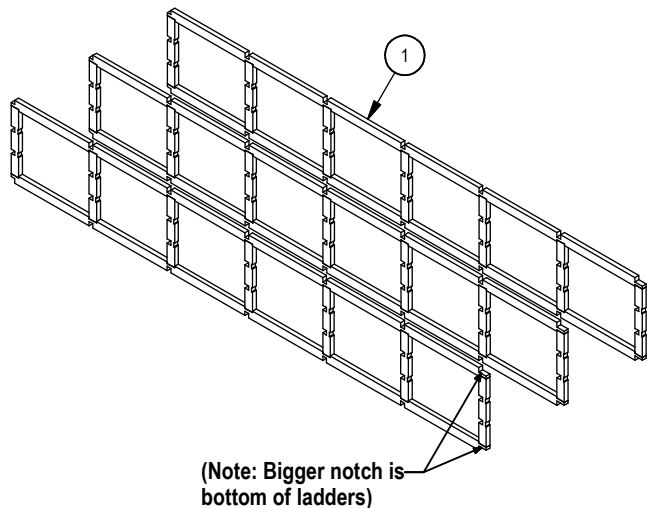
COMPONENTS

The following components are included in the DOUBLE COLUMN DIAMOND BIN.
(COMPONENTS WILL VARY IN QUANTITY AND SIZE, DEPENDING ON KIT.)



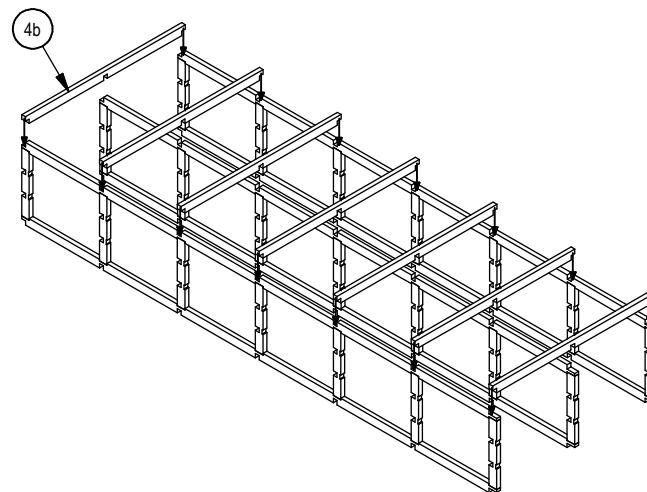
STEP 1

For bin ladders (1), there are no fronts or backs. Front and back are visually the same. Be sure to place the ladders on flat, soft surface, so not to damage to bin ladders. Space the ladders accordingly. **(Note: Ensure proper placement of ladders, and bottoms are all in same direction.)**



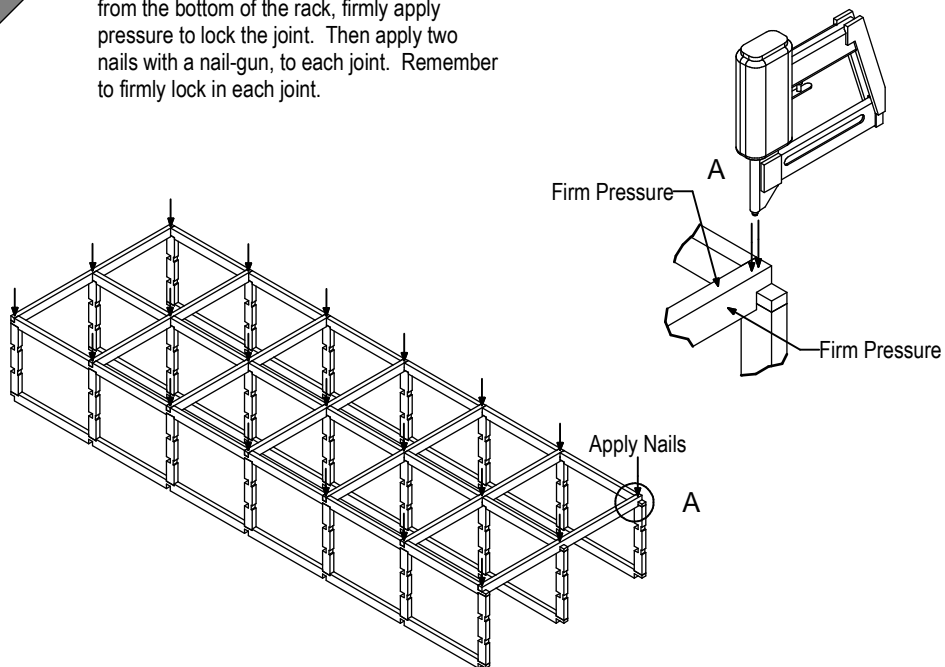
STEP 2

From the bottom and working your way up, place the back spacer bars (4b) according to the ladder notches. Make sure to carefully interlock the spacer bars to the ladders.



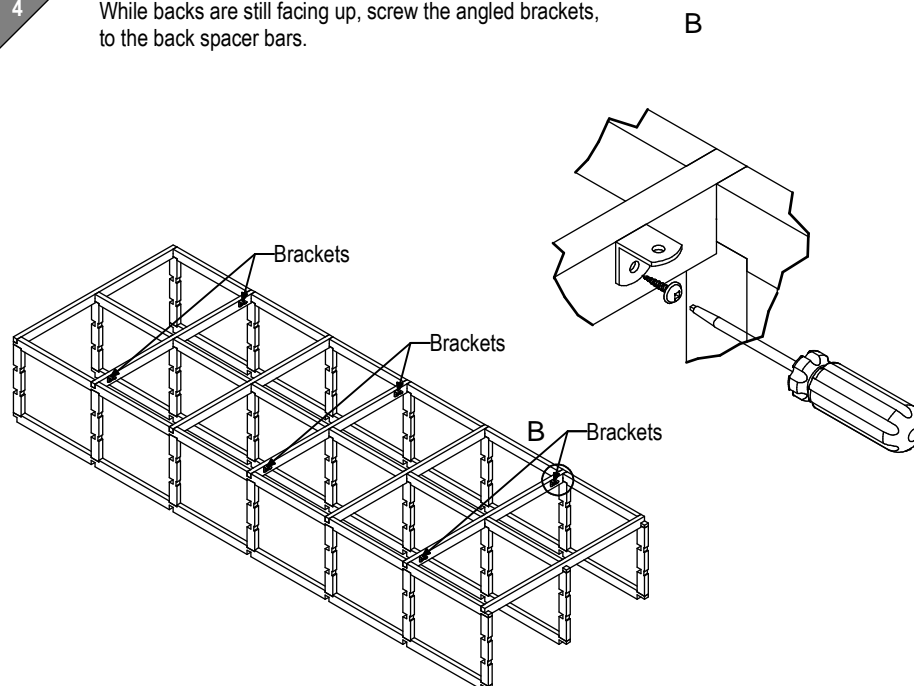
STEP 3

Once the spacer bars are properly placed. Start from the bottom of the rack, firmly apply pressure to lock the joint. Then apply two nails with a nail-gun, to each joint. Remember to firmly lock in each joint.



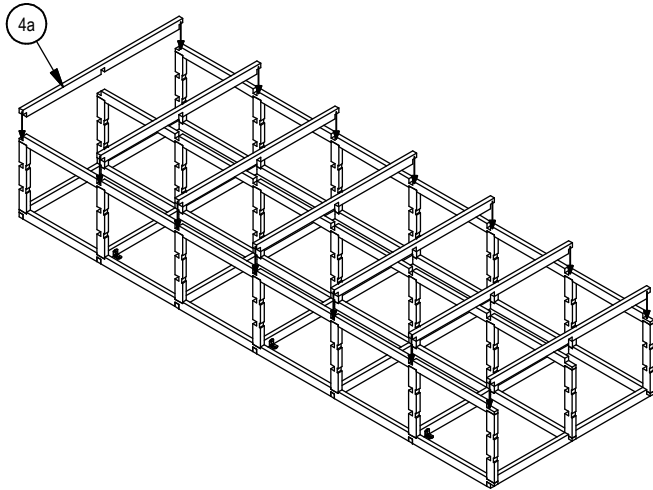
STEP 4

While backs are still facing up, screw the angled brackets, to the back spacer bars.



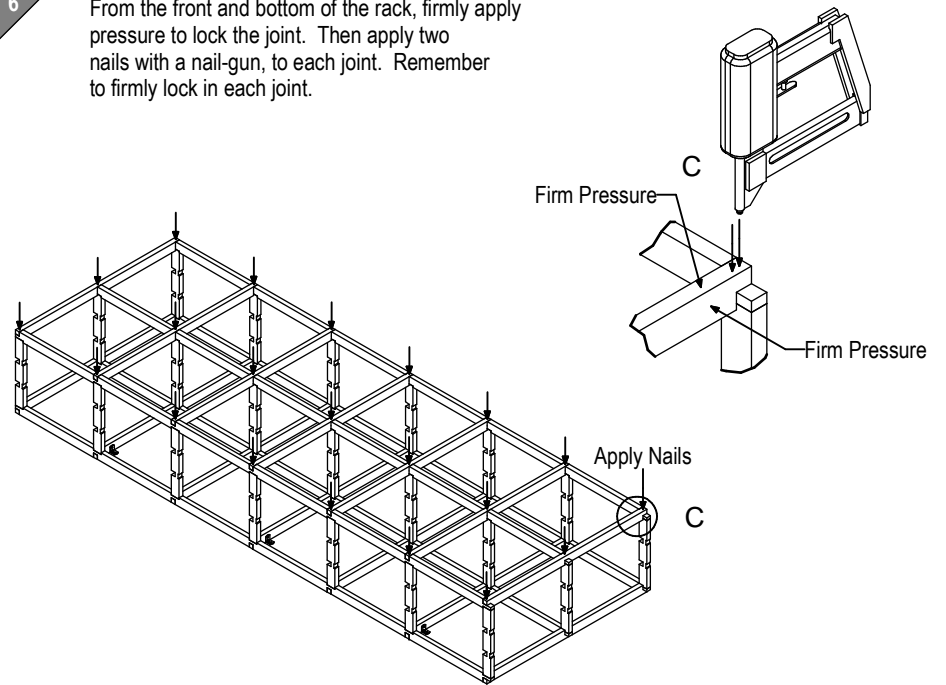
STEP 5

With the help of another person, turn the rack so the back is on the floor, and the front is facing up. Starting from bottom up, place the front spacer bars (4a) according to the ladder notches. Make sure to carefully interlock the spacer bars to the ladders.



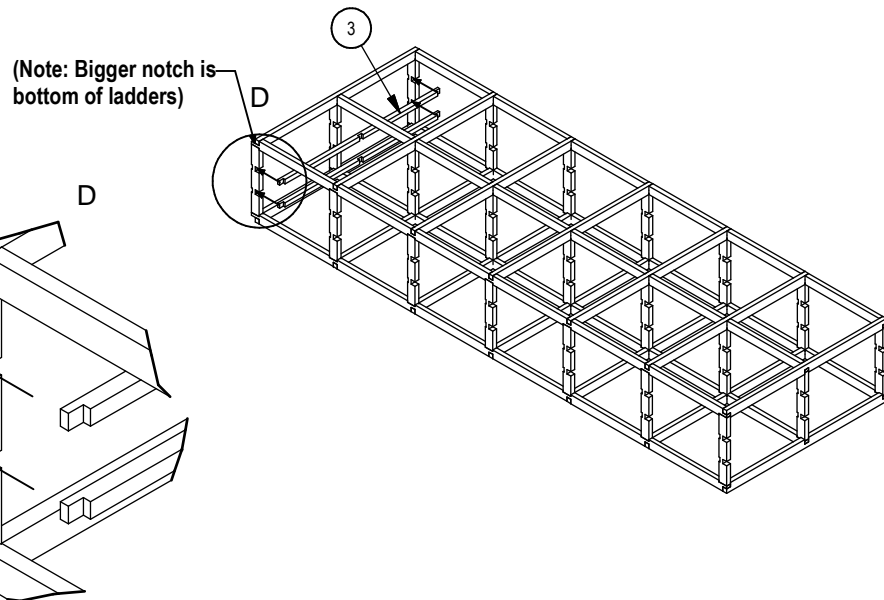
STEP 6

From the front and bottom of the rack, firmly apply pressure to lock the joint. Then apply two nails with a nail-gun, to each joint. Remember to firmly lock in each joint.



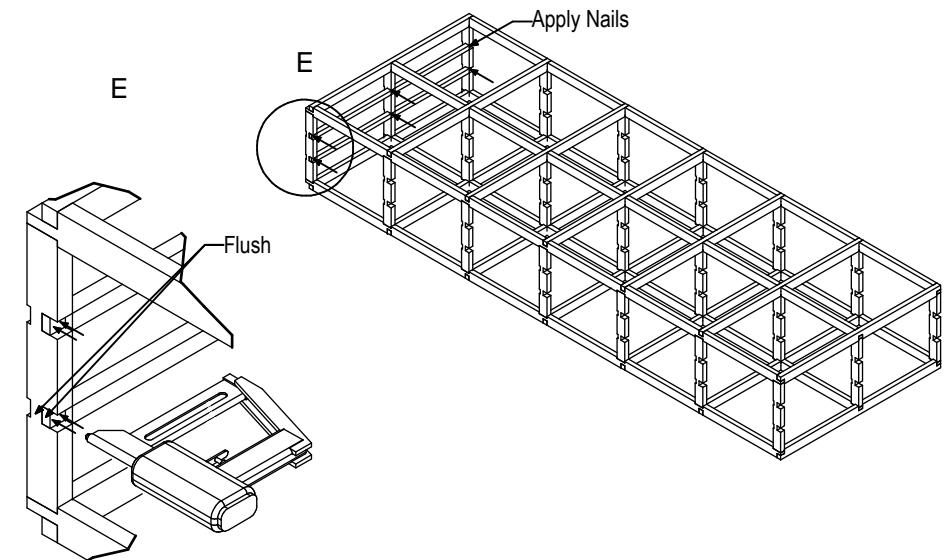
STEP 7

From the bottom of the bin, working with one row. Place two bin block (3) into the notches. Make sure the notches on the bin block is facing up as shown. (Note: Do not continue to next row)



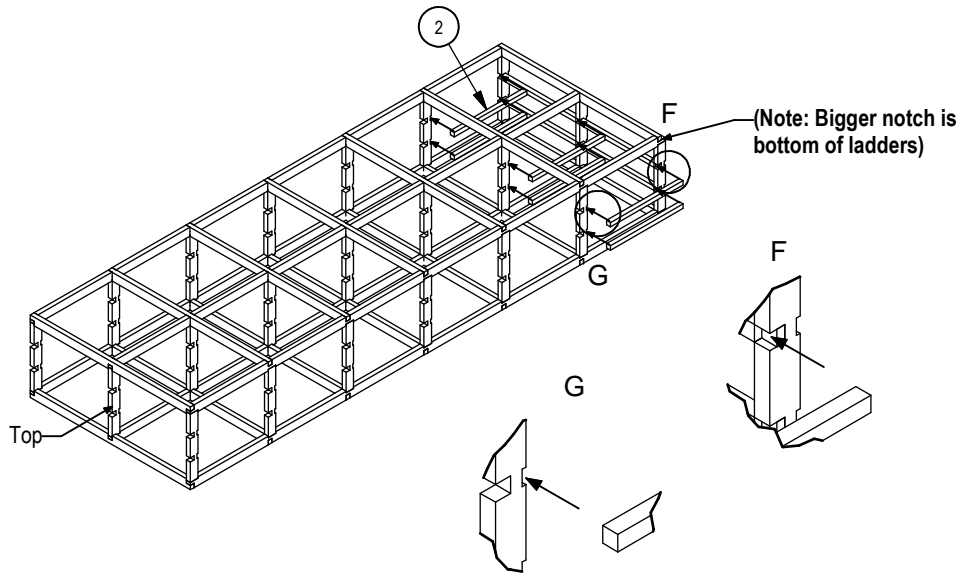
STEP 8

Flush the ends of the bin block to the outside of the ladders. Hold the joint tightly in place, and apply two nails as shown. Apply nails to the middle joints and the other end of the bin block.



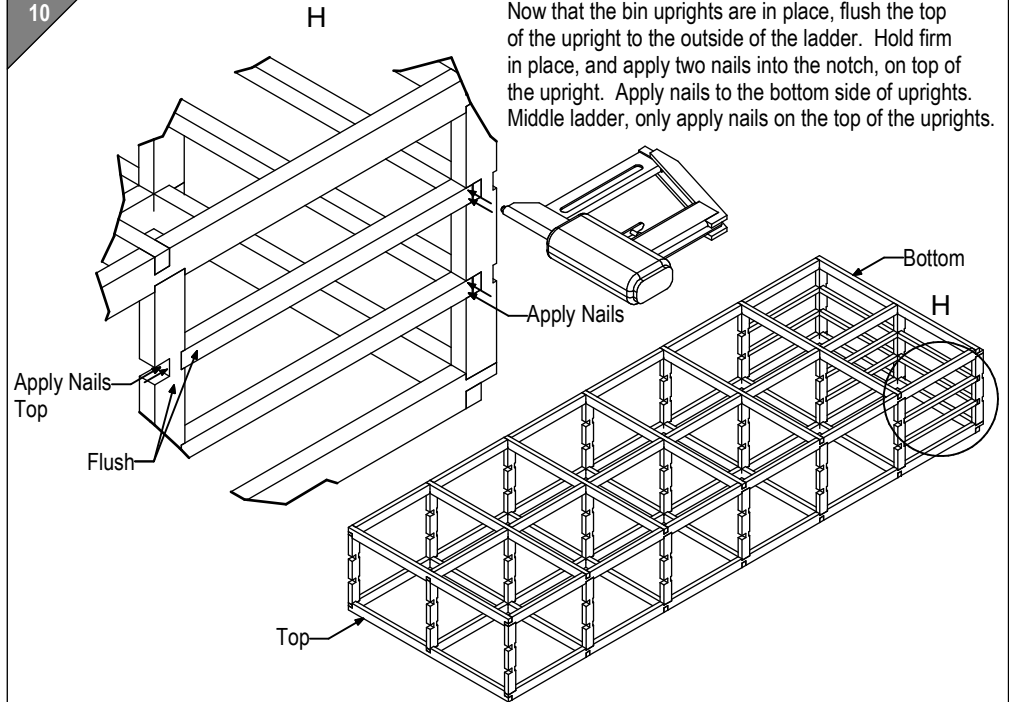
STEP
9

Once the first row bin blocks are done, slide the bin upright (2) into place, as shown. Again, work with the lower row first.



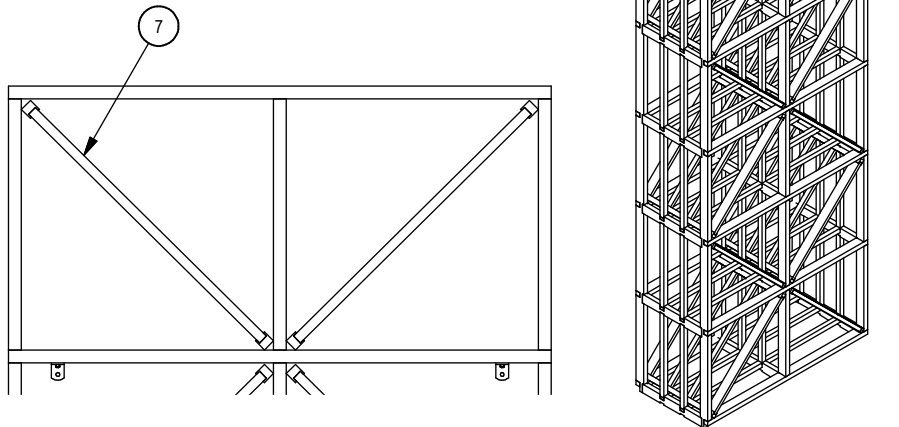
STEP
10

Now that the bin uprights are in place, flush the top of the upright to the outside of the ladder. Hold firm in place, and apply two nails into the notch, on top of the upright. Apply nails to the bottom side of uprights. Middle ladder, only apply nails on the top of the uprights.



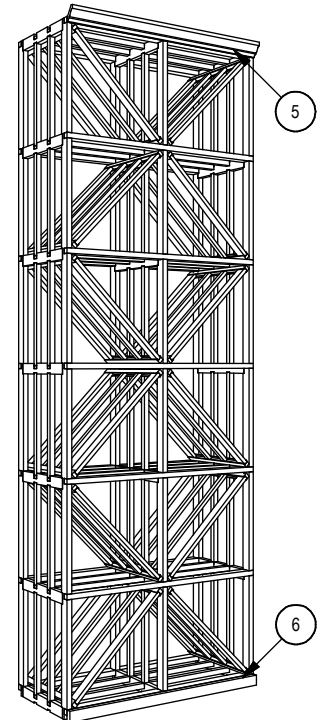
STEP
11

Complete the first row, and move to the next row. Make sure to assemble one row at a time. Bin blocks first, then the bin uprights are put into place. When everything is nailed together, stand the bin storage up, fasten to wall and the dividers (7) can slide into place.



STEP
12

Optional, finishing the bin rack by applying the base and crown mould.

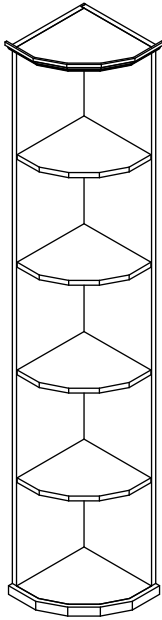


ELITE KIT RACK ASSEMBLY INSTRUCTION

Thank you for purchasing Elite Kit Rack by Genuine Cellars. The following instructions will help you assemble the 1/4 ROUND CORNER SHELF.

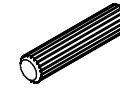
Please study the instructions carefully prior to starting the assembly.

1/4 ROUND CORNER SHELF

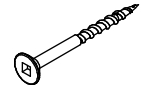


HARDWARE

The following hardware is included in all kits:
(QUANTITY WILL VARY, DEPENDING ON KIT.)



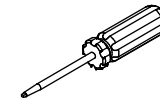
Dowels
(QTY: 36)



#8 Robertson Screws
(Square Head)
(QTY: 35)

TOOLS REQUIRED

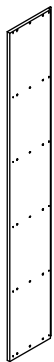
The following tools are required (NOT INCLUDED):



Robertson
(Square Head)
Screwdriver #8

COMPONENTS

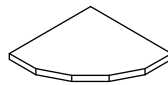
The following components are included in the 1/4 ROUND CORNER SHELF.



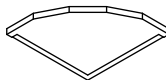
1 - Left Gable
(QTY: 1)



2 - Back Panel
(QTY: 1)



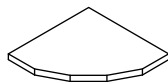
3a - Shelf Top
(QTY: 1)



3c - Shelf Bottom
(QTY: 1)



4 - Crown Mould
(QTY: 1)



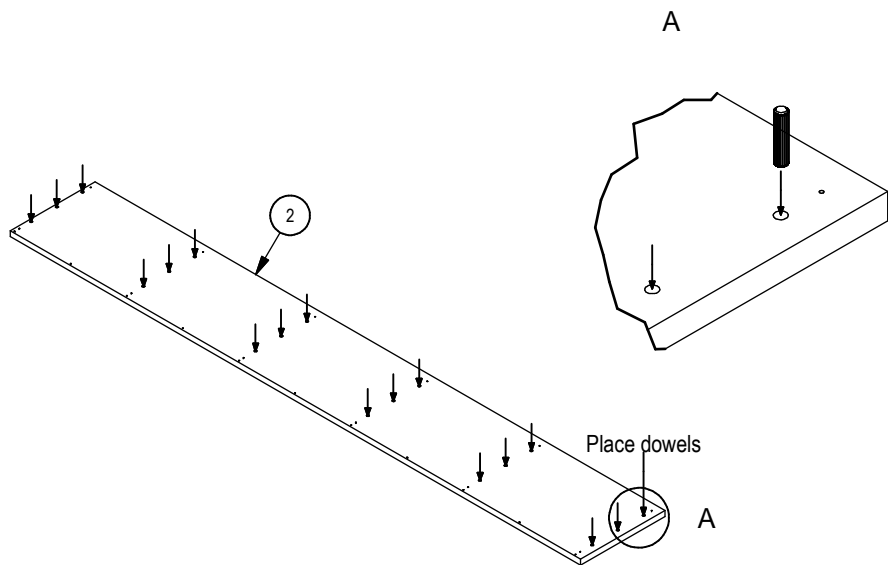
3b - Shelf
(QTY: 4)



5 - Base Mould
(QTY: 1)

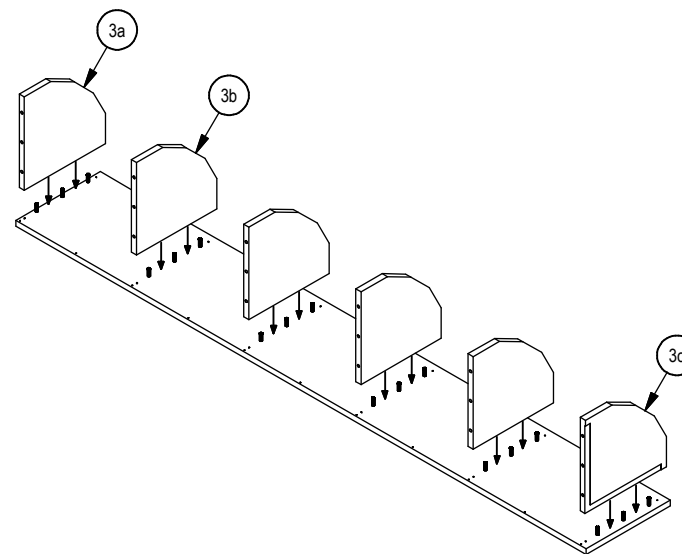
STEP 1

Place the back panel on flat, soft surface, so not to damage the panel. Make sure the side of the panel with dowel holes are facing up. Place three dowels on each row, as shown.



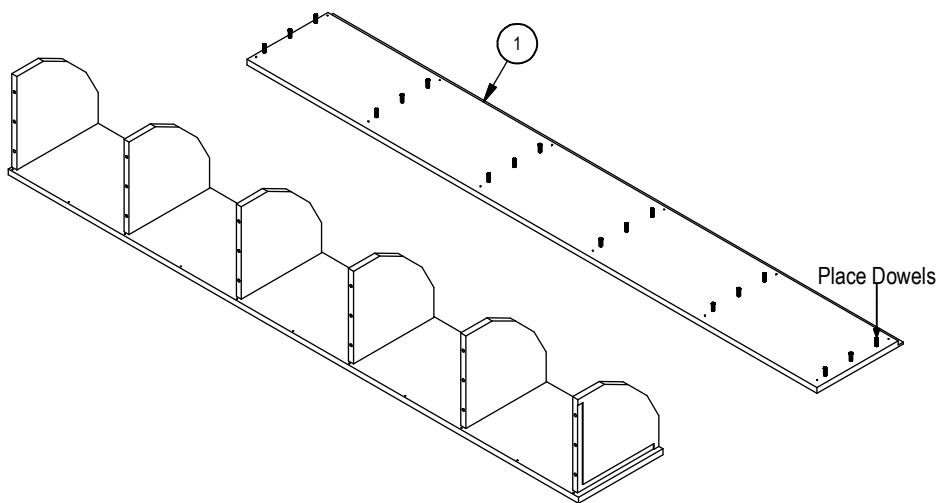
STEP 2

Place shelves according to the dowels. Make sure the shelves are in order. Bottom shelf on the bottom, and top shelf on top.



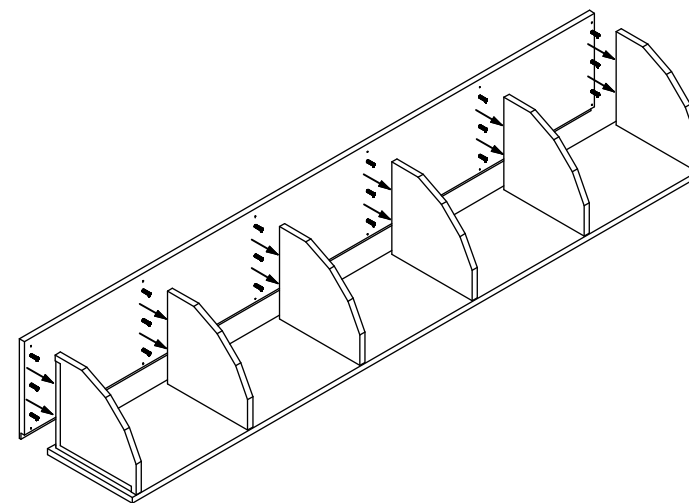
STEP 3

Now for the left gable, place three dowels on each row, as shown.



STEP 4

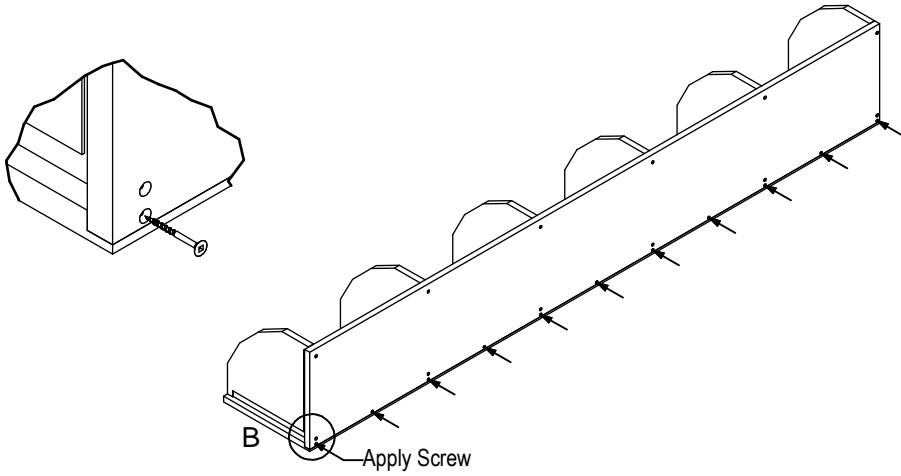
Slide the left gable into place. Make sure the bottoms and tops are aligned.



STEP
5

With the screws provided, first screw the gable and panel together. Holes for screws are pre-drilled along the edge as shown.

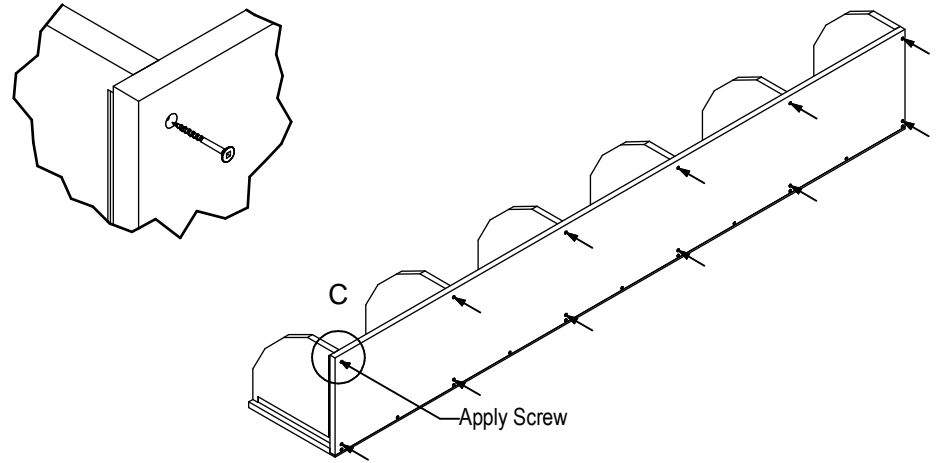
B



STEP
6

Now screw the shelves on. Holes are also pre-drilled for the shelves, as shown below.

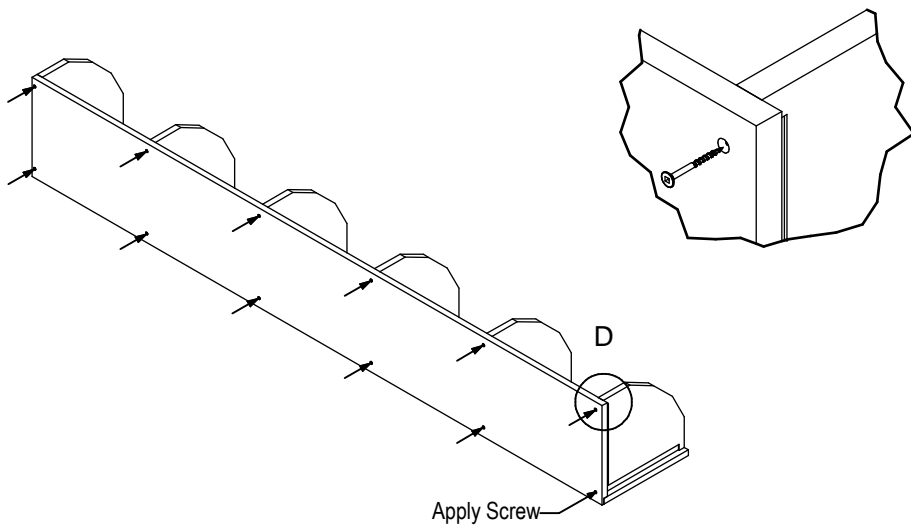
C



STEP
7

Turn the corner shelf over, and screw the shelves on.

D



STEP
8

Finish the corner shelf by applying crown and base mould. Apply to your discretion.

