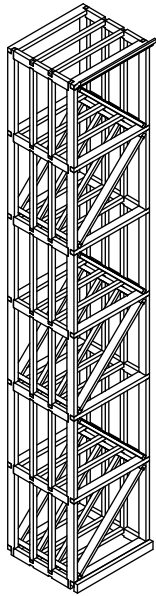


# ELITE KIT RACK ASSEMBLY INSTRUCTION

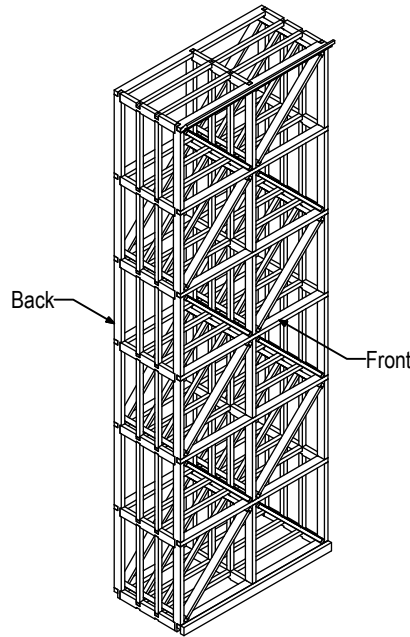
Thank you for purchasing Elite Kit Rack by Genuine Cellars. The following instructions will help you assemble the DOUBLE COLUMN DIAMOND BIN. The same procedure can be applied to the following kits shown.

Please study the instructions carefully prior to starting the assembly.

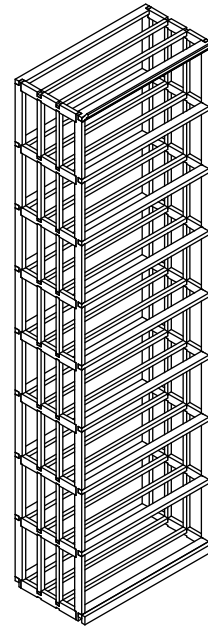
SINGLE COLUMN DIAMOND BIN



DOUBLE COLUMN DIAMOND BIN

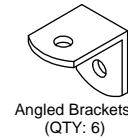
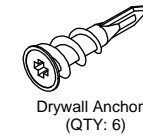


OPEN CASE STORAGE BIN



## HARDWARE

The following hardware is included in all kits: (QUANTITY WILL VARY, DEPENDING ON KIT.)

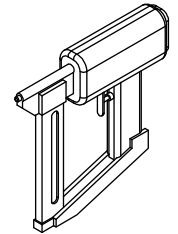
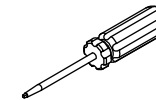


## TOOLS REQUIRED

The following tools are required (NOT INCLUDED):

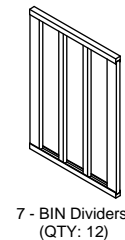
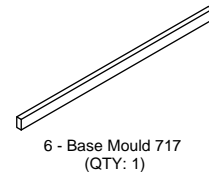
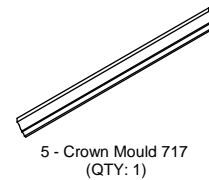
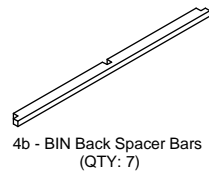
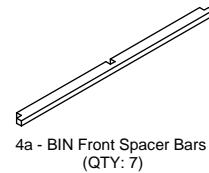
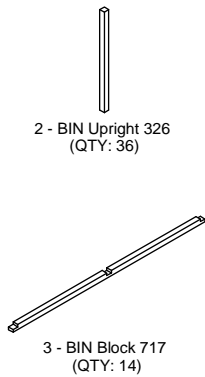
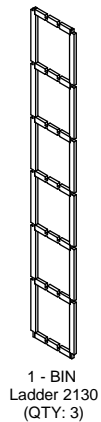
**IMPORTANT!**

Always follow the manufacturer's instructions on how to use the nail gun, to prevent injury. Genuine Cellars is not liable for any injury incurred while assembling the kit.



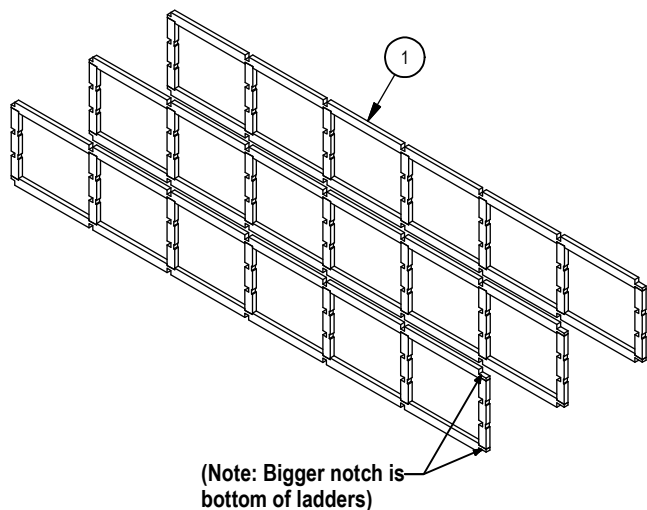
## COMPONENTS

The following components are included in the DOUBLE COLUMN DIAMOND BIN. (COMPONENTS WILL VARY IN QUANTITY AND SIZE, DEPENDING ON KIT.)



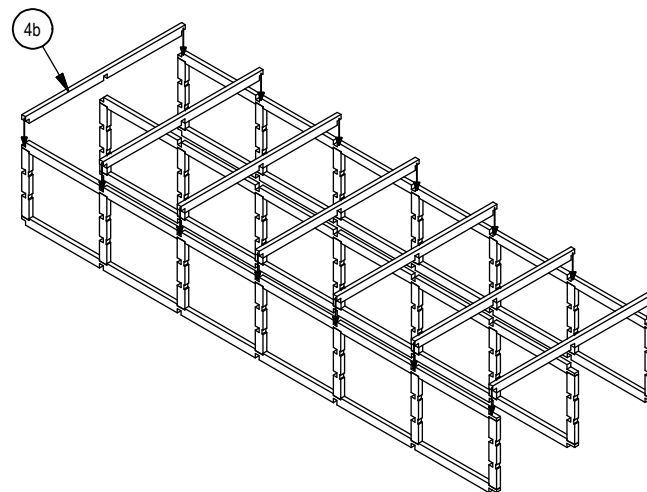
STEP 1

For bin ladders (1), there are no fronts or backs. Front and back are visually the same. Be sure to place the ladders on flat, soft surface, so not to damage to bin ladders. Space the ladders accordingly. **(Note: Ensure proper placement of ladders, and bottoms are all in same direction.)**



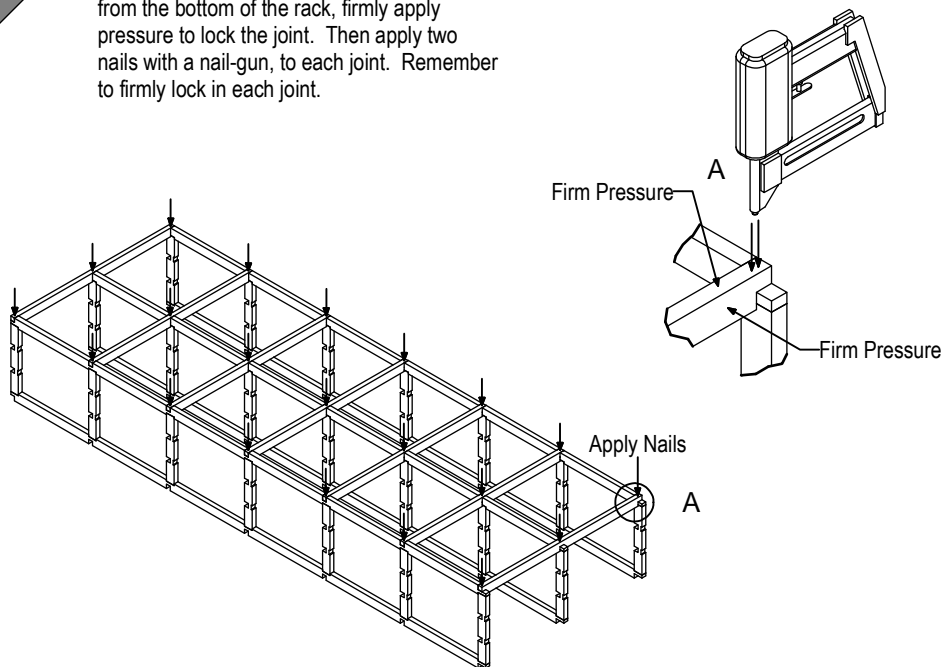
STEP 2

From the bottom and working your way up, place the back spacer bars (4b) according to the ladder notches. Make sure to carefully interlock the spacer bars to the ladders.



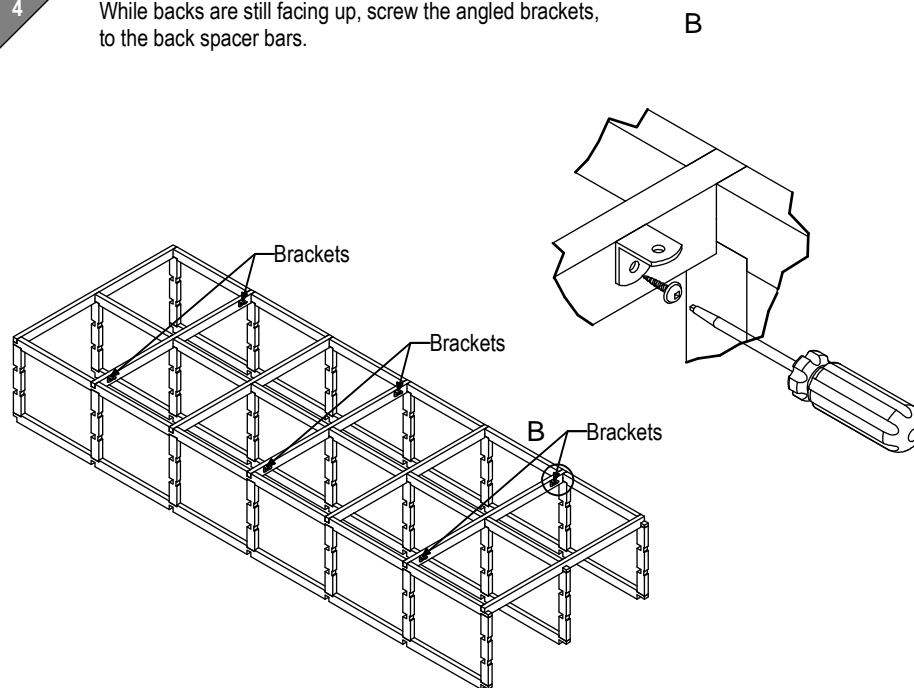
STEP 3

Once the spacer bars are properly placed. Start from the bottom of the rack, firmly apply pressure to lock the joint. Then apply two nails with a nail-gun, to each joint. Remember to firmly lock in each joint.



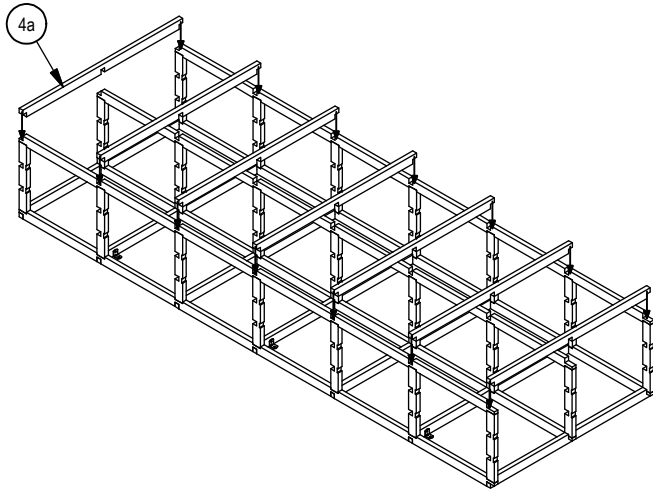
STEP 4

While backs are still facing up, screw the angled brackets, to the back spacer bars.



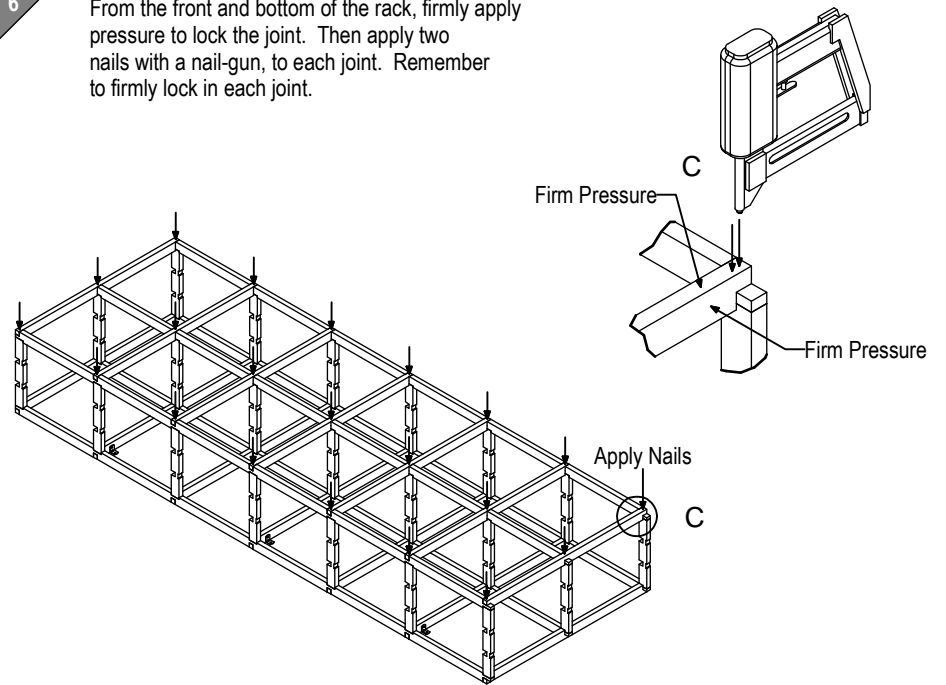
STEP 5

With the help of another person, turn the rack so the back is on the floor, and the front is facing up. Starting from bottom up, place the front spacer bars (4a) according to the ladder notches. Make sure to carefully interlock the spacer bars to the ladders.



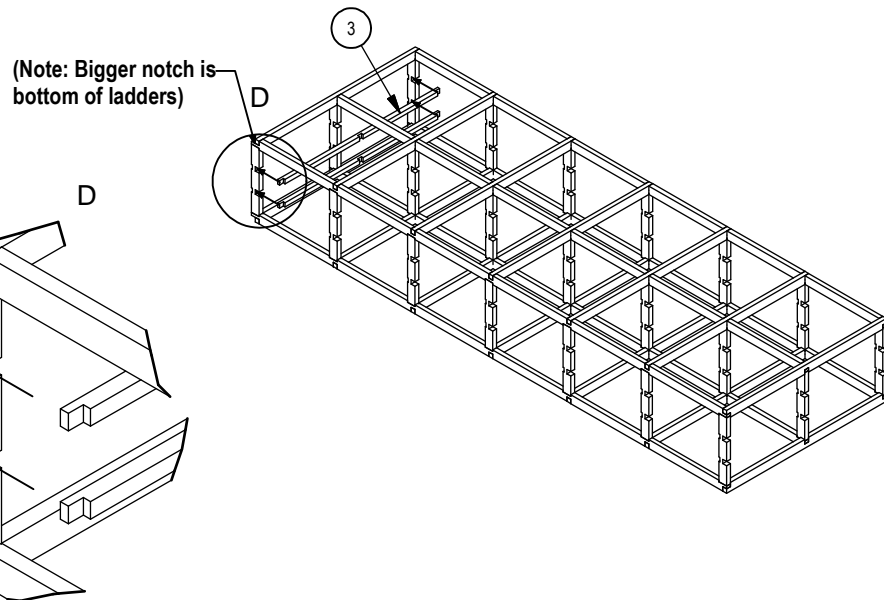
STEP 6

From the front and bottom of the rack, firmly apply pressure to lock the joint. Then apply two nails with a nail-gun, to each joint. Remember to firmly lock in each joint.



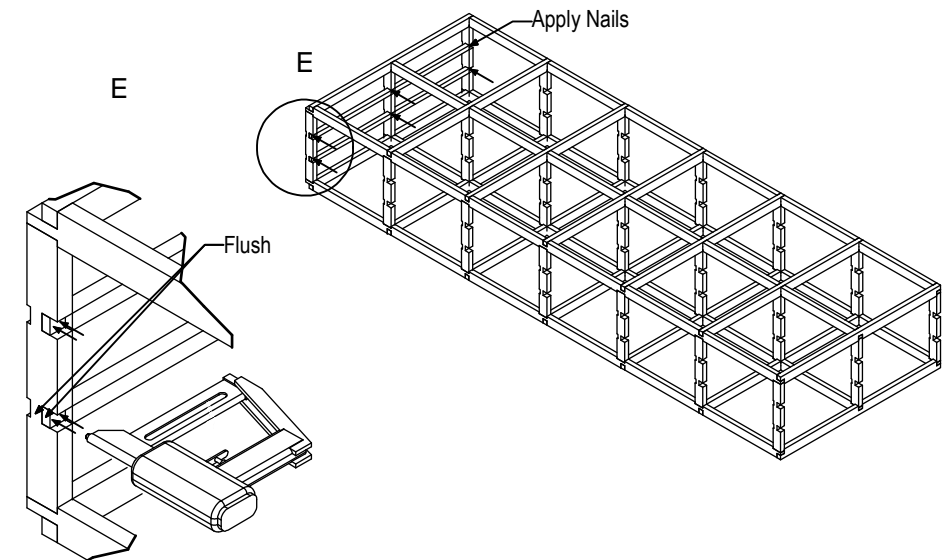
STEP 7

From the bottom of the bin, working with one row. Place two bin block (3) into the notches. Make sure the notches on the bin block is facing up as shown. (Note: Do not continue to next row)



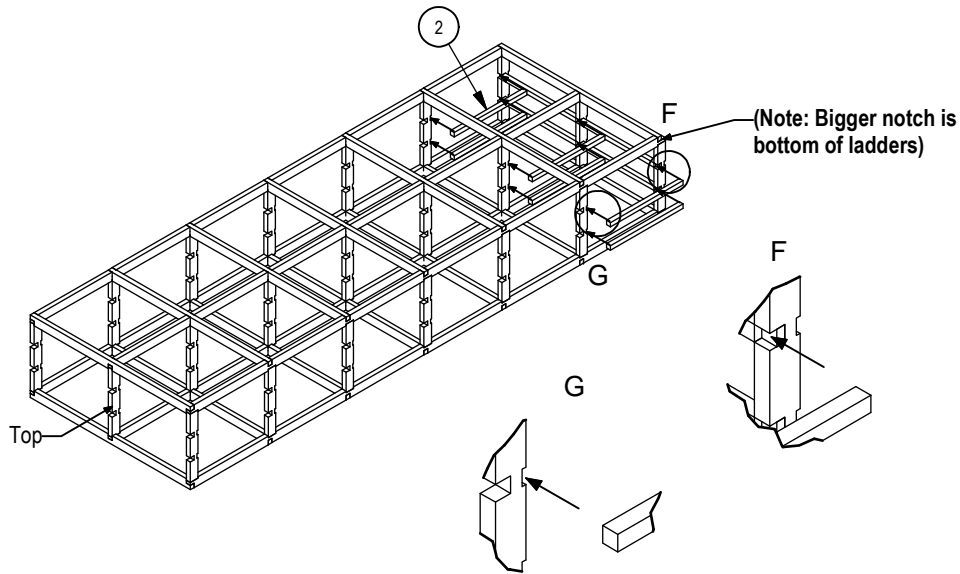
STEP 8

Flush the ends of the bin block to the outside of the ladders. Hold the joint tightly in place, and apply two nails as shown. Apply nails to the middle joints and the other end of the bin block.



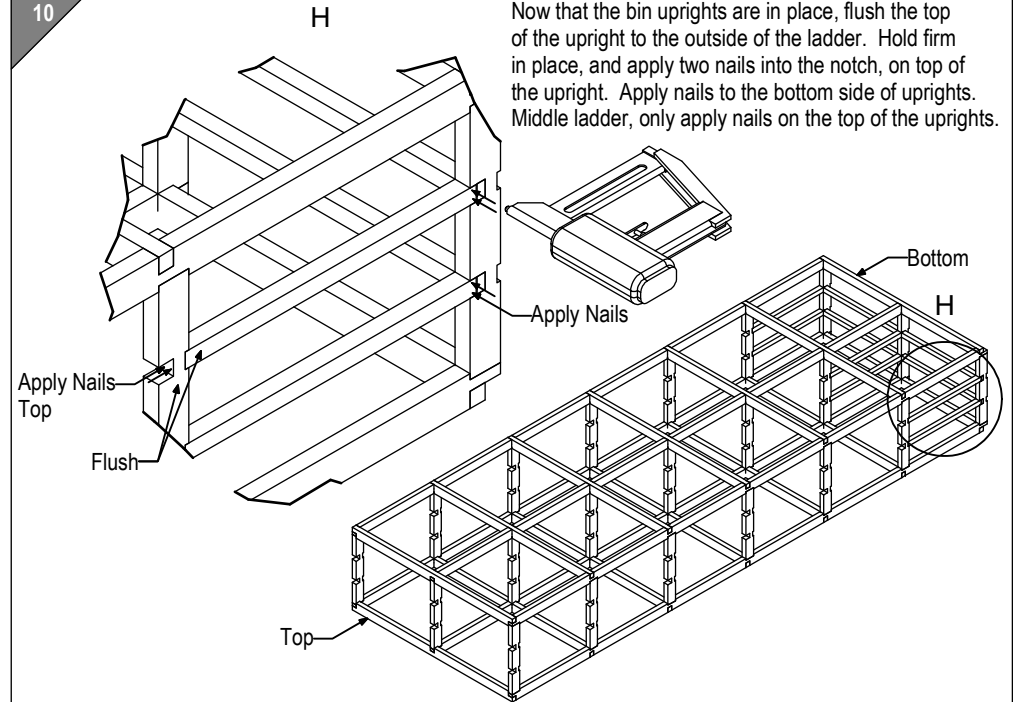
**STEP**  
**9**

Once the first row bin blocks are done, slide the bin upright (2) into place, as shown. Again, work with the lower row first.



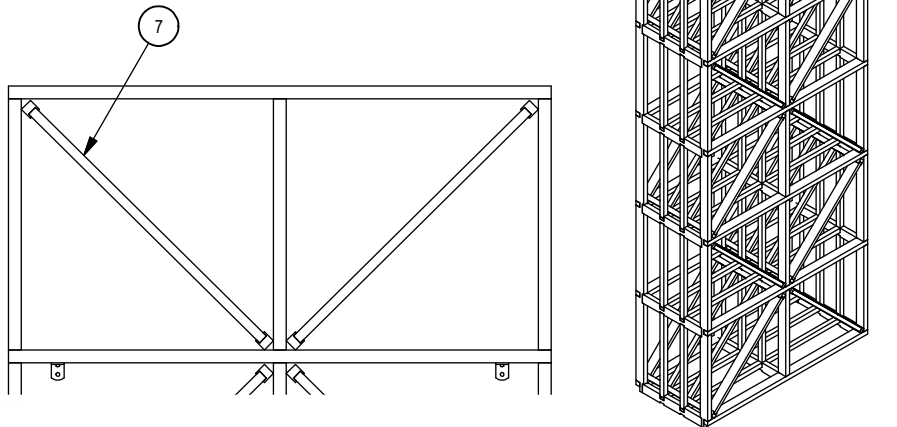
**STEP**  
**10**

Now that the bin uprights are in place, flush the top of the upright to the outside of the ladder. Hold firm in place, and apply two nails into the notch, on top of the upright. Apply nails to the bottom side of uprights. Middle ladder, only apply nails on the top of the uprights.



**STEP**  
**11**

Complete the first row, and move to the next row. Make sure to assemble one row at a time. Bin blocks first, then the bin uprights are put into place. When everything is nailed together, stand the bin storage up, fasten to wall and the dividers (7) can slide into place.



**STEP**  
**12**

Optional, finishing the bin rack by applying the base and crown mould.

