



Vino Rails (VRC) Installation Instructions

Starter Kit Included Parts: • 2 Vino Rails • 2 Vino Rails Collars • 2 Toggle Bolts • 2 Machine/Lag Studs • 2 Nuts or 2.5mm Hex Key
Required tools: • Level • 2 X 10mm (or adjustable) Wrenches • Drill • 5/8 inch (15.9mm) drill bit • 5/32 inch (4mm) drill bit

Critical Note: These installation instructions are for attaching Vino Rails only to drywall or solid wood surfaces with a minimum thickness of 1/2 inch (12.7mm). If your wall surface does not meet this minimum requirement, please contact your VintageView supplier to obtain appropriate mounting hardware for your wall surface. Installing Vino Rails on wall surfaces that do not meet this minimum criteria or installing the Vino Rails without the supplied Collars may result in failure of the installation and serious damage or injury.

1. **Mark the mounting hole locations** - Reference Figure A below to verify appropriate minimum clearances around the Vino Rails in the desired installation area. Mark the center-point of the first rail and, using a level to ensure the marks are on the same horizontal plane, mark the center-point of the second rail 2-1/2 inches (63.5mm) away.

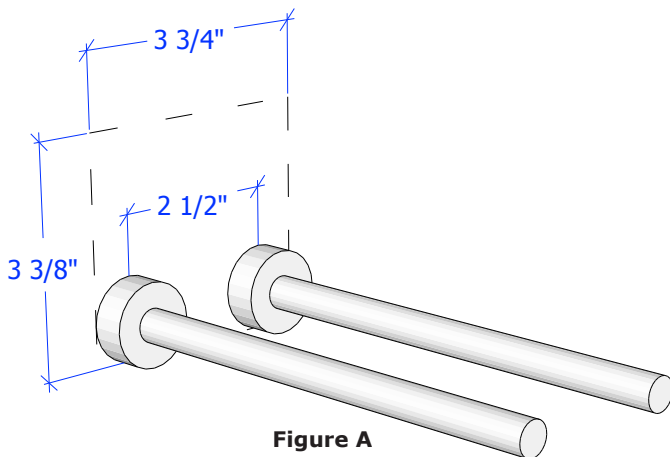


Figure A

2. **Drill the anchor holes** - Drill a 5/32 inch (4mm) hole at the marked hole locations to see if they are over studs. If you do hit a stud or your wall surface is solid wood, skip to **Wall Stud Mounting**. Otherwise, drill a 5/8 inch (15.9mm) hole for the Toggle Bolts at the pilot hole locations (Figure B).

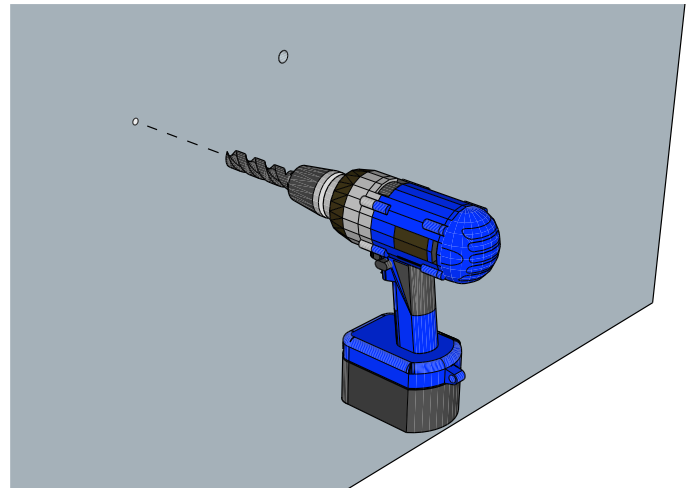


Figure B

3. **Prepare the Toggle Bolts** - Screw the expanding wing nut onto the bolt so that the wings fold away from the head of the bolt. Thread the nut all the way to the head of the bolt and then back it off about one full turn to make sure the wings of the nut can open and close without touching the bolt head (Figure C).

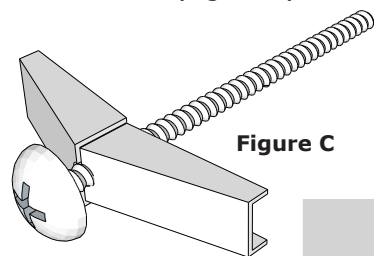


Figure C

4. **Install the Rails** - Slide a collar onto the bolt and then screw the bolt into the threaded end of the Vino Rail (Figure D). Push the head of the bolt through the drywall until the Vino Rail Collar is flush against the wall surface. Ensure that both wings of the nut have fully expanded on the back side of the wall and gently pull back on the Vino Rail to hold the wings of the expanding nut against the back side of the drywall. Center the bolt in the anchor hole and turn the Vino Rail clockwise to firmly hand-tighten in place. Repeat the process for the second rail (Figure E) and use a level to ensure they are both level.

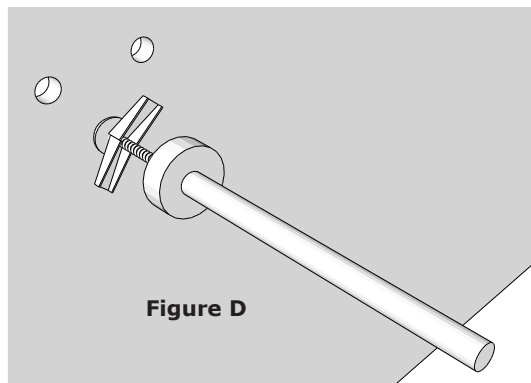


Figure D

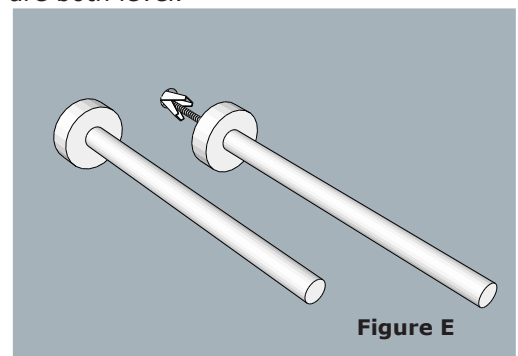


Figure E

Wall Stud Mounting

Install the Machine/Lag studs - If your kit came with a hex key, use the hex key to drive the Machine/Lag stud into the wall until the coarse threads of the lag screw are no longer visible. If your kit was supplied with hex nuts, thread 2 nuts onto the fine threaded end of one Machine/Lag Studs and, using two 10mm wrenches, tighten the nuts against one another (Figure F). With the nuts tightened against each other, use one wrench on the outer nut and thread the lag end into the pilot hole in the wall. Screw the bolt into the wall until the coarse threads of the lag screw end are no longer visible, leaving just the finer threads exposed (Figure G). Again using 2 wrenches, loosen the nuts and remove them.

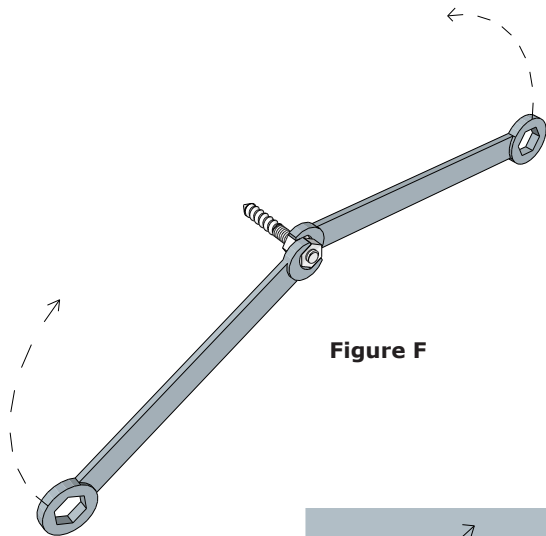


Figure F

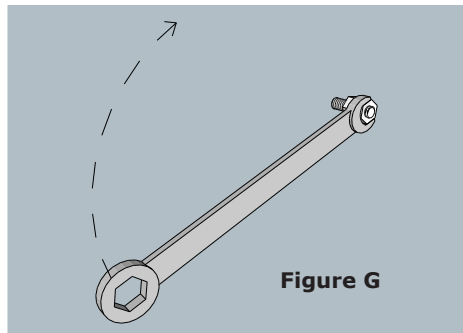


Figure G

Install the Vino Rail - Slide a collar over the stud protruding from the wall (Figure H). Thread a Vino Rail onto the stud extending from the wall and firmly hand tighten (Figure I). Return to step 3.

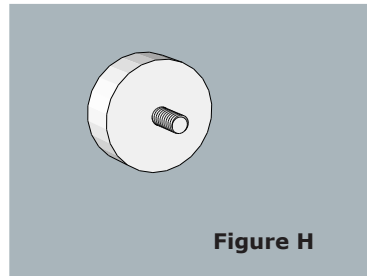


Figure H

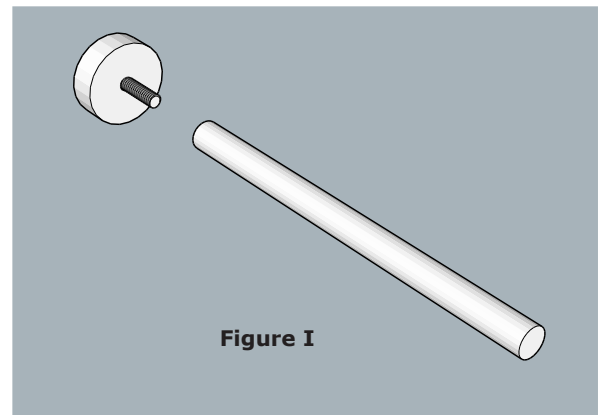


Figure I

***IMPORTANT NOTICE:** All installations into drywall require the use of collars to properly support the Vino Rails. The VRC kits are designed for installation into drywall surfaces at least 1/2 inch thick and Vino Rails are designed to support most 750mL bottles. Any application outside of these parameters is not warranted by VintageView and may result in product and/or installation failure, property damage and/or bodily injury.

Maintenance and Care - The Vino Rails should be regularly checked for tightness. Should any part be found to be loose, tighten appropriately until secure. If the face of the wall surface shows signs of breakage, discontinue use immediately until such time as the wall may be adequately repaired. Vino Rails may be cleaned with a damp cloth and mild dish soap - abrasive cleaners, abrasive pads or steel wool should NOT be used as they will damage the finished surfaces of the parts.

For product warranty information, please visit: VintageView.com/support/warranty

We're here to help, call us at 866-650-1500 with any questions.

US Patents: 6,991,117 and 7,850,017 China Patent: ZL 2006 2 0173305.3