

Floor-to-Ceiling Frames

Installation Instructions for Floor-to-Ceiling Mounted Frame (FCF-HD)



Parts List

- 2 Sections FCF-HD
- 2 Plastic Couplers
- 36 Self Drilling Screws

Required Tools

- Phillips head driver/drill
- Level
- Pencil
- Tape Measure
- Metal Cutting Saw
- Metal File

Fasteners:

There are pre-drilled mounting holes in each mounting plate. Appropriate fasteners for your surface must be utilized in every mounting hole for proper installation. Fasteners for securing racks to the frames are provided, but hardware for attaching the frames to the floor and ceiling are not. We recommend the following fasteners for these surfaces:

Drywall installations should attach to joists or wood backing when available with a #8 X 1-1/2" course thread screw or larger or use expanding hollow wall anchors with at least #8 screw size

Wood surfaces use #8 X 1 1/4" course thread screws or larger

Concrete, Brick or Stucco: 3/16" x 1 1/4" masonry screw or #8 x 1 1/4" screw with appropriate size expanding concrete anchor

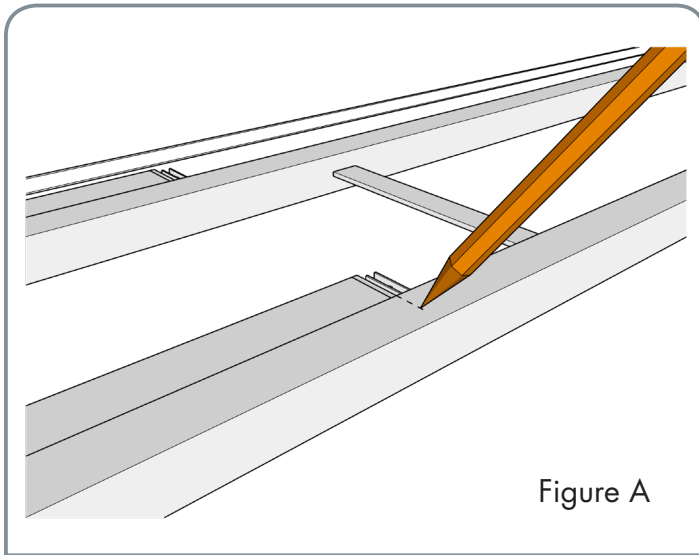


Figure A

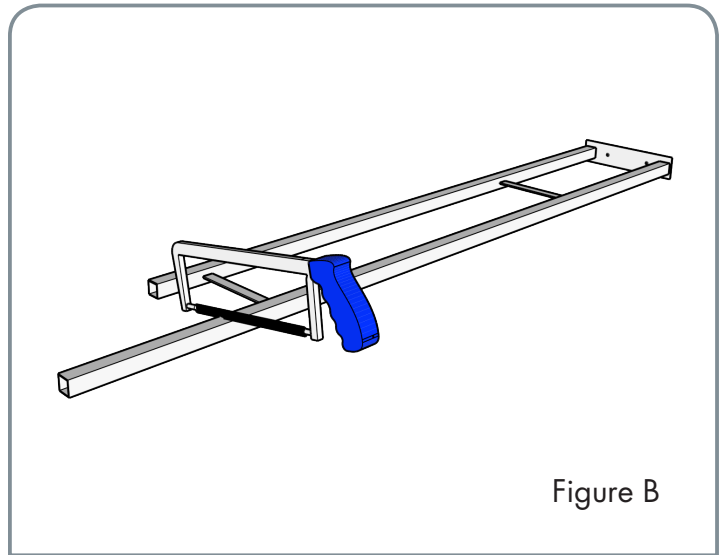


Figure B

1. Measure ceiling height and mark the frames - Measure the ceiling height in the place where the frame is to be installed. Insert the plastic couplers into the open ends of one frame section and lay it next to the other frame section, interlaced, as shown below. Position the frames so that the measurement from top to bottom of the base plates equals your ceiling height. At the widest part of the coupler, mark both legs of the other frame section.

Note: If ceiling height results in the cut mark aligning with one of the cross members, cut 2 inches off of the section with the couplers and perform the rest of the procedure again.

2. Cut the frame - Using a reciprocating saw, band saw or hack saw; squarely cut both legs of the frame at the marks from Step 1.

Note: An abrasive cut-off saw should not be used, as the heat generated may damage the finish of the FCF-HD.

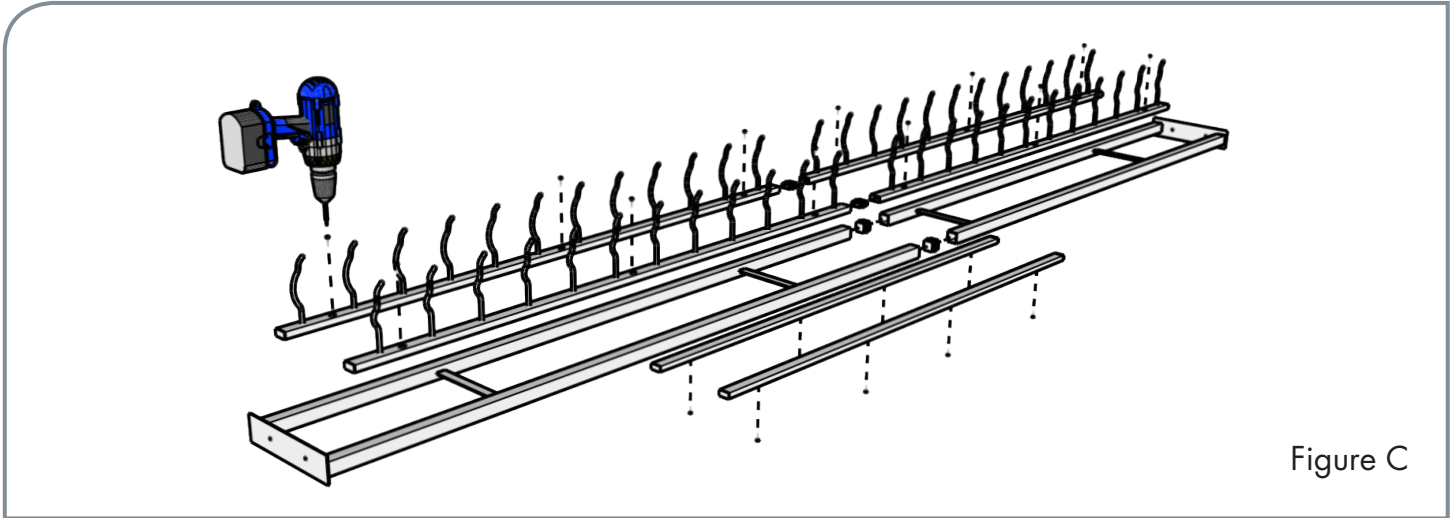


Figure C

3. Assemble the frame - Slide the frame together with the couplers aligning the two sections. Secure the WS-Series racks and/or FCF-BACK to the front and back faces, ensuring that the coupled joint of the frame is spanned by the back strip of a WS-Series rack or an FCF-BACK and that the rack or FCF-BACK spanning the joint is screwed into both the upper and lower sections of the frame.

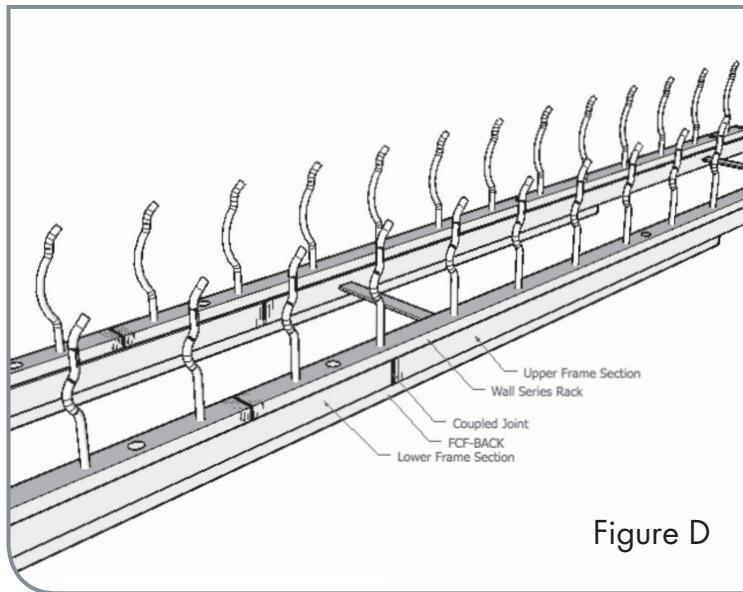


Figure D

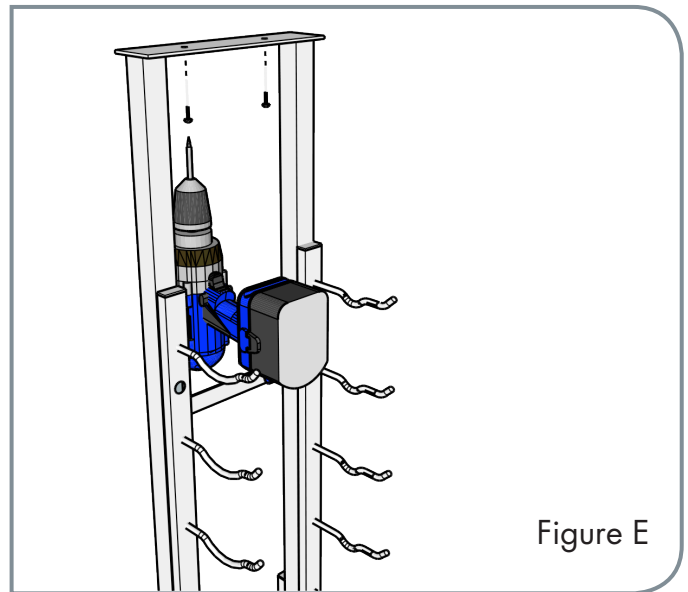


Figure E

4. Install the frame - Stand the rack in the desired location and ensure that the frame is plumb both front-to-back and side-to-side using a level. Attach the mounting plate to the ceiling using the appropriate fasteners for the ceiling material. Double check that the frame is plumb with a level and secure the mounting plate to the floor.

