

True[®] RESIDENTIAL WINE CABINET

24 Inch Wine Cabinet
(Also Available in 15" Models)

Crafted with extraordinary detail for those who are passionate about wine. You'll keep your favorite vintage in pristine condition with True's refrigerated wine cabinet. The True Wine Cabinet provides wine storage that carefully guards your wine from the elements most likely to damage them — light, fluctuating temperatures, humidity, and vibration. No other wine refrigerator matches the sophisticated and elegant look with the commercial performance of the True Wine Cabinet.

24 Inch Wine Cabinet
(Right-Hinged Shown)



Stainless Glass



Overlay Glass



Overlay Panel

EXCEPTIONAL FEATURES

Industry exclusive, 300-series stainless steel interior and exterior.

Zero-clearance hinging allows for integrated installation.

Patented TruLumina[®] LED lighting gently illuminates your product and allows you to choose from 14 different color options with the push of a button.

Low-E, double pane, UV tinted glass.

True Precision Control[®] with steel touch technology and readout provides digital accuracy.

5 glide out wine racks and 1 floor cradle accommodate a total of 45 bottles.

Temperature zone can be adjusted from 40°F (4.4°C) to 65°F (18.3°C).

TrueFlex[®] shelving system allows convertibility to a beverage center or refrigerator.

Star-K compliant.

Standard with lock.

UL rated for outdoor use.

NOTE: Overlay models have 300-series stainless steel interiors and black vinyl coated steel exteriors.

OPTIONAL FINISHES

FINISH	MODEL
WINE CABINET	
Stainless glass door right-hinged	TWC-24-R-SG-B
Stainless glass door left-hinged	TWC-24-L-SG-B
Overlay solid right-hinged	TWC-24-R-OP-B
Overlay solid left-hinged	TWC-24-L-OP-B
Overlay glass right-hinged	TWC-24-R-OG-B
Overlay glass left-hinged	TWC-24-L-OG-B

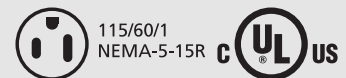
ELECTRICAL SPECIFICATIONS

Voltage: 115/60/1

Amps: 1.9

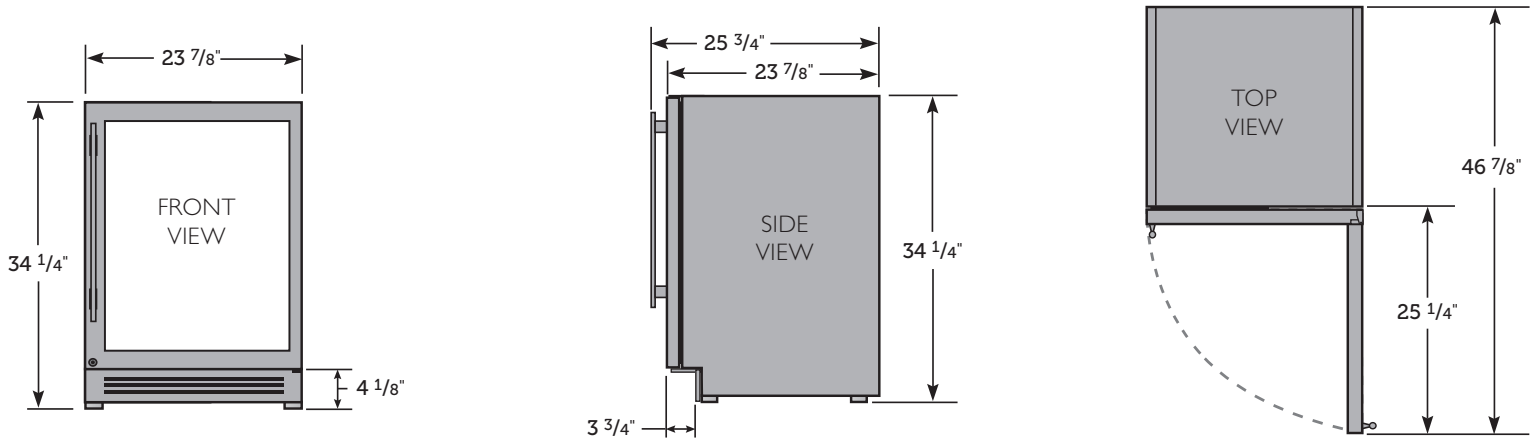
Power Cord Length: 8'

Annual kWh Consumption: TBD



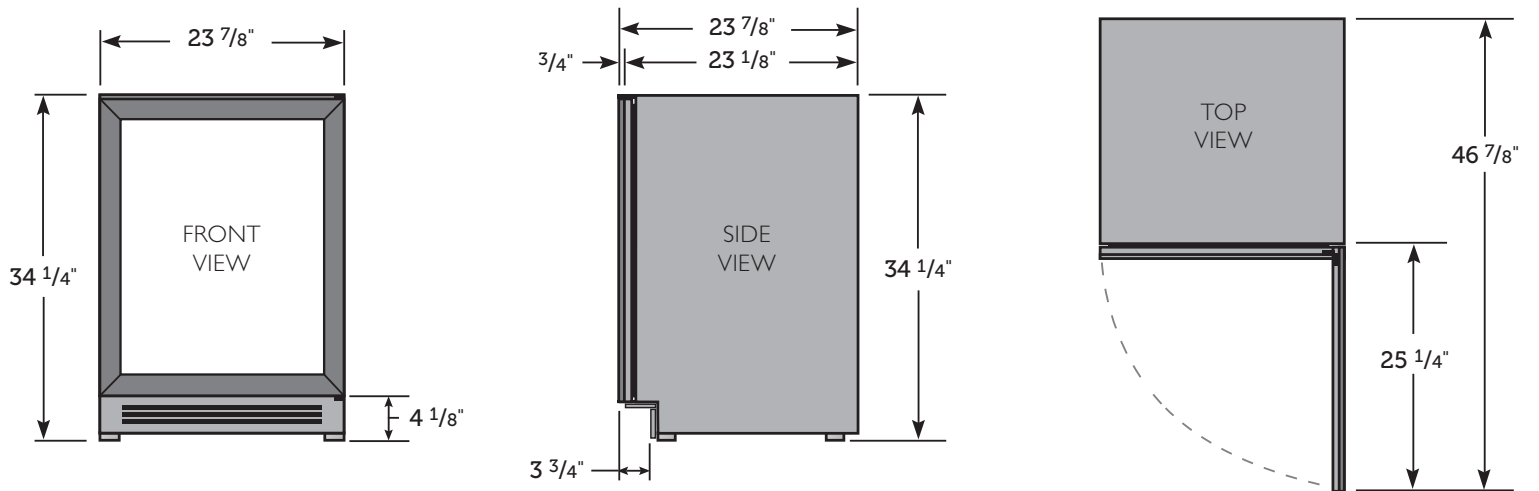
PLAN VIEWS

WINE CABINET STAINLESS FINISH:



Dimensions may vary by $\pm 1/8''$

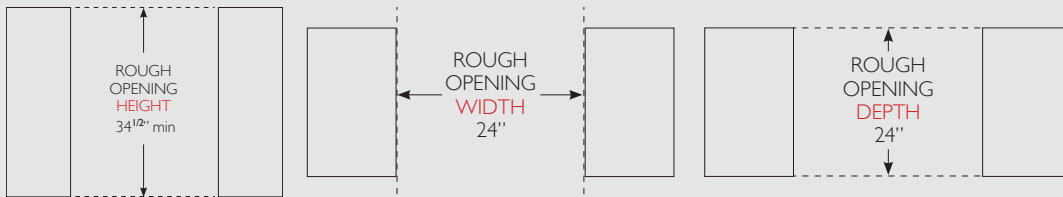
WINE CABINET OVERLAY FINISH: Shown with 3/4" Panel



Dimensions may vary by $\pm 1/8''$

OPENING DIMENSIONS

Width	Depth†	Height
24"	24"	34½"



SPECIFICATIONS	
Width	23 7/8"
Depth†	23 7/8"
Height	34 1/4"
Wine Storage	5 glide-out wine racks - 40 bottles 1 floor wine cradle - 5 bottles
Opening Width	24"
Opening Depth	24"
Opening Height	34 1/2"
Crated Weight	230

†Depth does not include 1 7/8" for door handle.