

# NEK RITE™ TWO

MADE IN CANADA vindegarde

## CONTACT INFO

North America Toll Free +1 866 999 2103  
 Email info@winepegs.com  
 Web http://www.winepegs.com

### BOTTLE CAPACITY:

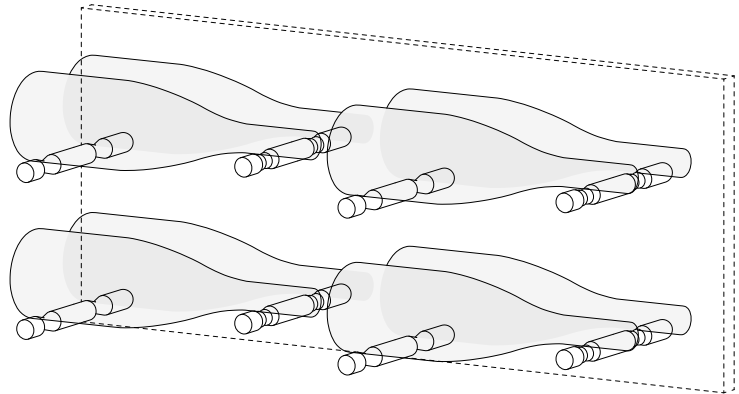
Two 750ml bottle per pair

### HARDWARE DIMENSIONS:

7.125" x 0.75" Ø  
 181mm x 19mm Ø

### STANDARD FINISHES

Brushed Aluminum  
 Flat Black



### MATERIALS

6061-T6 Aluminum  
 Silicone O-rings;

### PANEL OPTIONS

#### EXAMPLES

Wood, MDF, Acrylic, Metal, Stone.

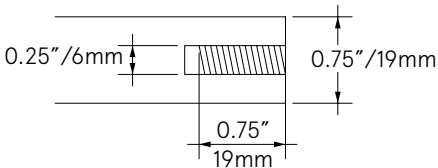
**All hardware requires a wall panel for secure installation.**

**All hardware must mount on a flat surface.**

### MOUNTING HARDWARE

Panel thickness and design will determine type of hardware required. All hardware for assembly and installation is stocked and can be supplied.

### THREAD DEPTH DETAIL

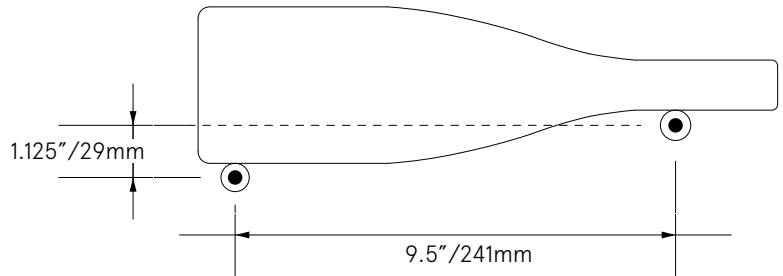


Internal threads are 1/4 - 20  
 To a depth of 3/4"

### LAYOUT DIMENSIONS

STORES TWO BOTTLES PER PAIR

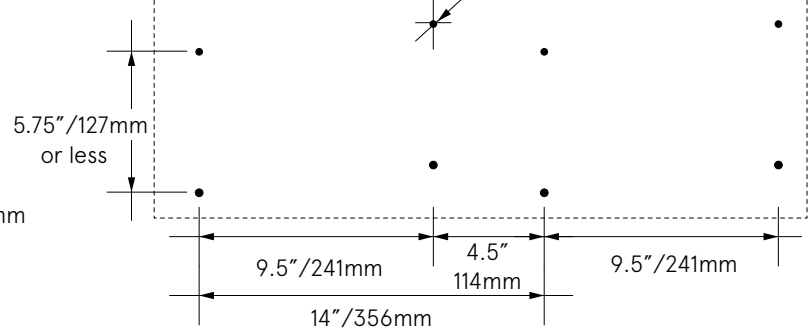
1:4 SCALE



STORES TWELVE BOTTLES

1:8 SCALE

DRILL THROUGH PANEL FOR STANDARD 1/4 - 20 BOLT  
 Ø 5/16" / 8mm



**CAD ID. REG. NUMBER** 155713  
**US PATENT NUMBER** US D735,540S